

# 60cm Built-in Warming Drawer

## ILWD615X

60CM  
WIDEMADE  
IN ITALY24 MONTH  
WARRANTYTOUCH  
2 OPEN

The ILVE warming drawer is suitable for fitting directly beneath either a 60cm oven, compact oven or coffee machine. When combined with a compact oven, both items will fit a standard 60cm cavity, making a perfect companion beside an ILVE 60cm oven.


**SIZE mm**

596W x 144H x 545D

**FINISH**

AS304 fingerprint-proof stainless steel

**CAPACITY**

45kg maximum

**FEATURES**

- open with push/pull system
- power-off timer
- operating indicator light
- preheat pots and pans
- preheat coffee cups
- maintain temperature of cooked foods
- thawing
- leavening dough
- delicate cooking at 70°C
- non-slip internal shelf surface, removable
- internal shelf surface in black tempered glass
- inside lighting
- ventilated
- thermostat adjustable 40–70°C
- telescopic guides for sliding opening

**Available Colours**


Stainless Steel



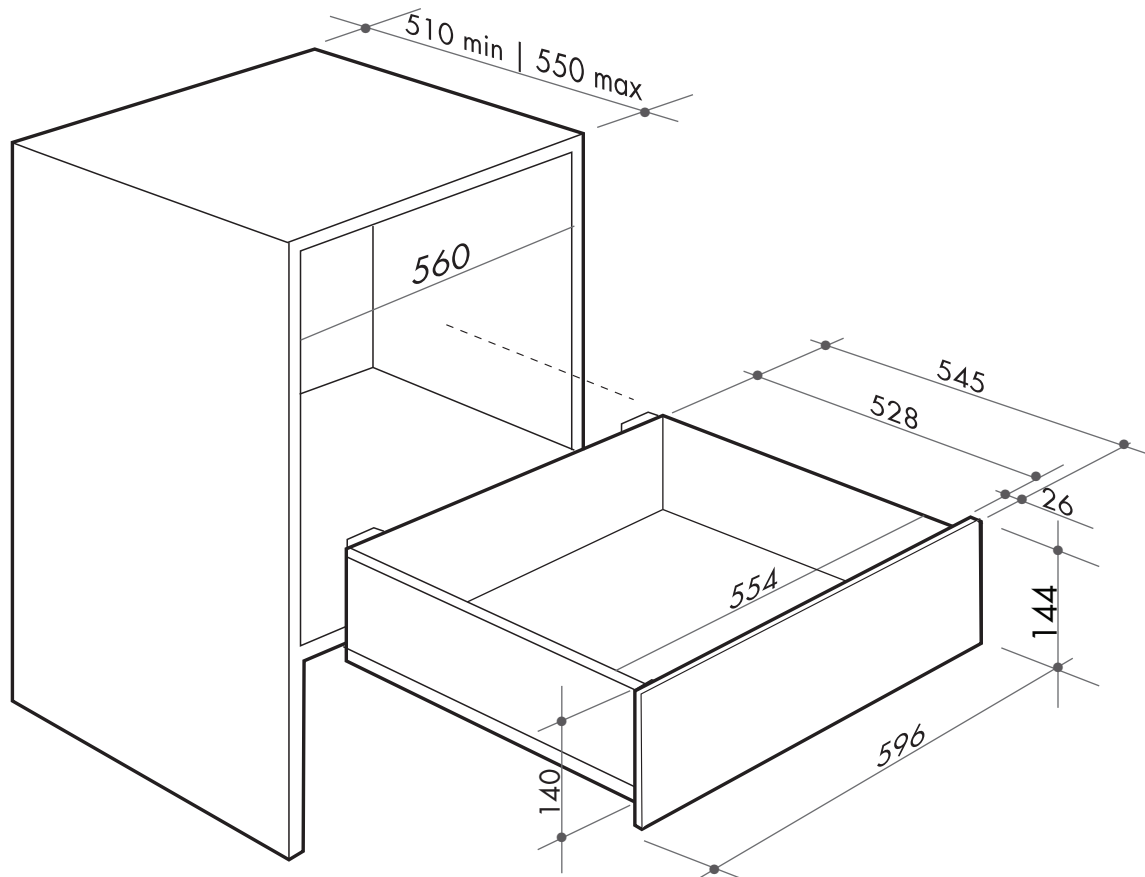
Black Glass

**POWER**

10 amp, 3-pin plug

# 60cm Built-in Warming Drawer

## ILWD615X



NB: drawings are not to scale — they are to be used as a guide only

27092017

### You can find us on:



/ILVEappliances



/ILVE\_appliances



/ILVEappliances



livewithilve.com

Australia National Telephone Number 1300 MYILVE (694 583) New Zealand Telephone Number 0508 458 369  
ILVE showrooms are open daily from 9am-5pm and Saturdays 10am-4pm

[ilve.com.au](http://ilve.com.au)

#### NSW & ACT (Head Office)

48-50 Moore Street  
Leichhardt  
F 02 8569 4699

#### VIC & SA

1211 Toorak Road  
Camberwell  
F 03 9809 2155

#### QLD

1/42 Cavendish Road  
Coorparoo  
F 07 3397 0850

#### WA & NT

Unit 10/55 Howe Street  
Osborne Park  
F 08 9201 9188

#### TAS (Crisp Ikin)

3 Pear Avenue  
Derwent Park, 7009  
P 03 6272 7386

#### New Zealand

PO Box 11.160  
Sockburn Christchurch  
F 03 344 5906

#### DISCLAIMER

Eurolinx PTY LTD, trading as ILVE Appliances, is continually seeking ways to improve the design specifications, aesthetics and production techniques of its products. As a result alterations to our products and designs take place continually. Whilst every effort is made to produce information and literature that is up to date, this brochure should not be regarded as an infallible guide to the current specifications, nor does it constitute an offer for the sale of any particular product. Product dimensions indicated in our literature is indicative only. Actual product only should be used to define dimension cutouts. Distributors, and retailers are not agents of ILVE Appliances and are not authorized to bind ILVE Appliances by any express or implied undertaking or representation.