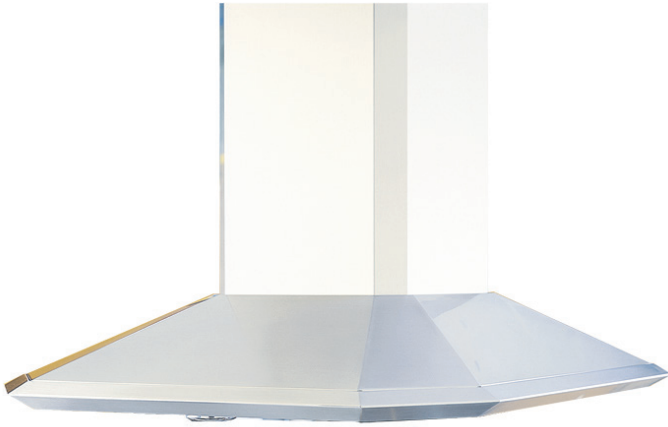


Island Range Hood

X301ISL

MADE
IN ITALY24 MONTH
WARRANTYECO
BOOSTLED
LIGHT100CM
WIDE

ILVE's Island range hoods are designed to stealthily keep your kitchen fresher and cleaner. We all adore the scrumptious smells that billow from your favourite dishes in the kitchen, but not when those smells become stagnant within the home. ILVE's rangehoods are designed to stealthily keep your kitchen fresher and cleaner. Their powerful high speed fan removes cooking odours, smoke and vapour from the kitchen, while extremely fine filters trap all grime. It features intelligent features like the new ECO-booster, auto fire shut-down sensors and a filter cleaning reminder light. The smart timer function can be set for an automatic turn off leaving you to your culinary masterpiece at hand. In-built LED Lights produce a natural brightness, illuminating your cooking area while the streamlined electronic control panel ensures whisper quiet air extraction is at your fingertips. Either as a visual focal point or discreetly integrated, it is easy to see that ILVE Rangehood's are built to extract!



Island Range Hood

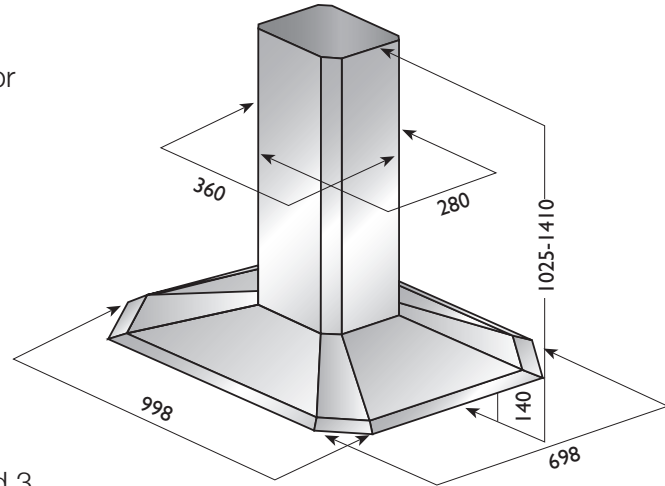
X301ISL



Model X301ISL

Island Hood

- Designed and purpose built for ILVE appliances Recommended for Tepanyaki models or when very high air extraction is required
- Ultra sleek design with stainless steel moulded front fascia
- Built to exacting professional cooker hood standards
- Suitable for all ILVE cooktops 60, 80, 90 & 100cm
- Twin turbine high velocity fan, optional in-line motor is available to assist air flow
- **ECO-booster** Feature: Our new and improved range hoods incorporate a 4th speed that is used as a “ECO-booster”. When active, the range hood will operate at a higher speed (4) for 10 minutes, and then the speed will automatically turn down to speed 3.
- Electronic touch control variable speed with auto fire shut-down sensors
- Programmable 5, 10, 15, 20 minute auto fan shut-down
- Honeycomb stainless steel filters
- LED lighting
- Filter cleaning reminder light
- Max. Air flow (m3/h): 920 net or 1200 gross*
- Noise (dB): low 35 - high 62
- AS304 Stainless Steel construction
- Size: 100cm
- Colour: Stainless Steel
- Ducting size 150mm**
- Suitable for ducting or recirculating***



Model: X301ISL Island Hood
Size: 100cm
Power standard: 10 Amp plug
Ducting size: 150mm

*Range Hood extraction rate m3/h reading is measured at: 1m duct up, 1 x 90°C bend & 1m vertical duct

**Using the conversion *back* to 125mm may effect performance

***Optional recirculating kit and accessories are available (consult with ILVE)

04082016

Australia National Telephone Number 1300 MYILVE (694 583) New Zealand Telephone Number 0508 458 369
ILVE showrooms are open Tuesday - Friday from 9am-5pm and Saturdays 10am-4pm. CLOSED Monday & Sunday

ilve.com.au

NSW & ACT (Head Office)

48-50 Moore Street
Leichhardt
F 02 8569 4699

VIC & SA

1211 Toorak Road
Camberwell
F 03 9809 2155

QLD

1/42 Cavendish Road
Coorparoo
F 07 3397 0850

WA & NT

Unit 10/55 Howe Street
Osborne Park
F 08 9201 9188

TAS (Crisp Ikin)

3 Pear Avenue
Derwent Park, 7009
P 03 6272 7386

New Zealand

PO Box 11.160
Sockburn Christchurch
F 03 344 5906

DISCLAIMER

Eurolinx PTY LTD, trading as ILVE Appliances, is continually seeking ways to improve the design specifications, aesthetics and production techniques of its products. As a result alterations to our products and designs take place continually. Whilst every effort is made to produce information and literature that is up to date, this brochure should not be regarded as an infallible guide to the current specifications, nor does it constitute an offer for the sale of any particular product. Product dimensions indicated in our literature is indicative only. Actual product only should be used to define dimension cutouts. Distributors, and retailers are not agents of ILVE Appliances and are not authorized to bind ILVE Appliances by any express or implied undertaking or representation.