

# Combi-Steam Oven

## ILCS45X



COOL TOUCH



MADE IN ITALY



TOUCH CONTROL



CHEF ASSIST



PURE STEAM



STEAM PUFF



11 MULTI FUNCTION MODES



PRESET RECIPES



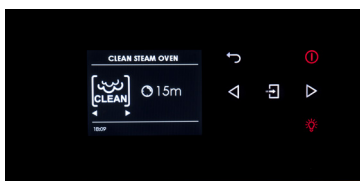
24 MONTH WARRANTY



60CM WIDE



EXPERT MODE



Also available is a matching 75cm or 76cm Trimkit to match this oven perfectly with ILVE's 75cm or 76cm pyrolytic ovens

ILVE's ILCS45X Combination steam oven allows for cooking healthy and more flavour packed meals, preserving the nutritional properties and content. Steaming brings out the natural flavours of food, especially vegetables and meats. The combination with other heating elements also allows you to utilise traditional cooking and multi function cooking modes, with the addition of steam, which make your meals the upmost delicate in taste and appearance.

### CONTROL PANEL

With a touch control panel and memory for recipes: this will ensure easy use of the oven with simplified management OVEN CAVITY To increase the durability and ease of cleaning, the oven interior is AS304 stainless steel

### CONDENSATION AND RECOVERY STEAM

During the cooking cycle a unique recovery system will condense and recover the water vapor emitted, entering it again in the water tank, thus making saving time with not having to refill the water tank when cooking for long periods of time

### WATER CONNECTION

Separate and removable, the device does not need a permanent water connection

### FILTER SOFTENER

The unique magnetic water softener filter will remove scale from the water tank, thus avoiding deposits in the cooking cavity that would otherwise effect the taste of your food

### MICRO PERFORATED TRAY

The oven is supplied with a tray & lid and a perforated stainless steel tray. Essential for cooking food with steam functions, in combination mode, the tray can be used for collecting liquids, both mounted within the side rack supports

### Available Colours



Stainless Steel



Black Glass

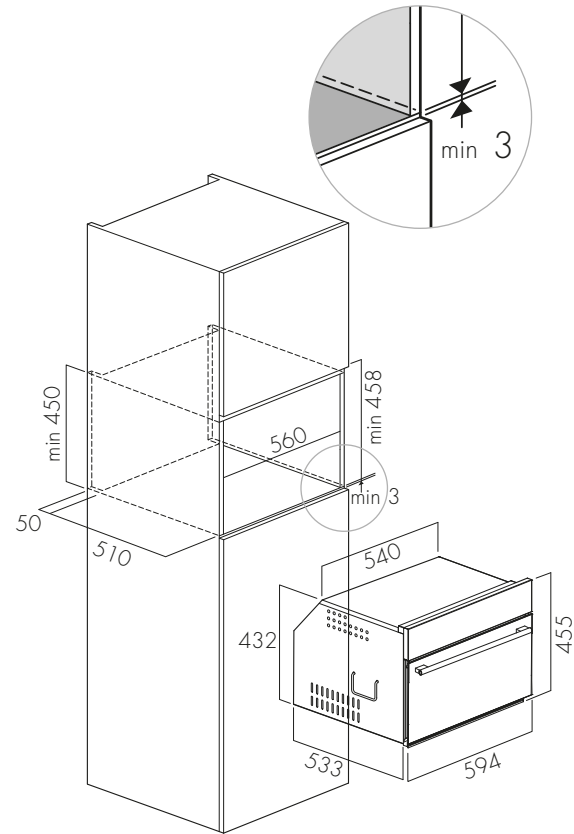
# Combi-Steam Oven

## ILCS45X

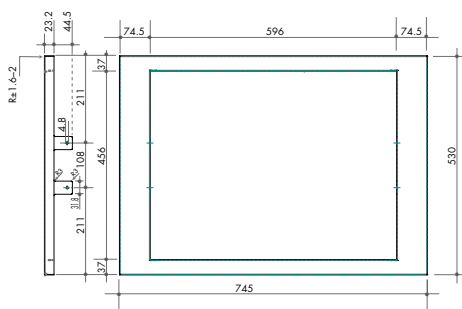


### Combination Steam Oven

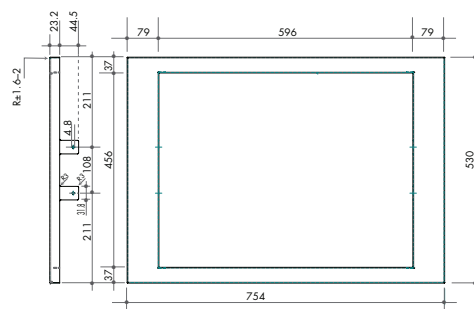
- internal capacity: 35 liters
- CHEF-assist with 60 preset recipes with automatic cooking time and weight preset for a variety of family meals
- Save upto 100 of your favoured most used recipes
- 11 combined functions
- PANA-view full-glass oven door and inner glass
- stainless steel cavity
- stainless steel exterior
- sensor control panel
- steam cooking (40–130°C)
- forced-air cooking
- combined steam and forced-air cooking
- electronic timer and clock
- automatic decalcification
- tangential cooling fan
- child safety lock
- 1 x stainless steel tray
- 1 x flat grill
- perforated stainless steel tub
- hard wired, supplied with 1.2M cable



Product Dimensions:  
594W x 455H x 533D



IL75TK 75cm Trimkit



IL76TK 76cm Trimkit

07072020

Australia National Telephone Number 1300 MYILVE (694 583) New Zealand Telephone Number 0508 458 369  
ILVE showrooms are open Tuesday - Friday from 9am-5pm and Saturdays 10am-4pm. CLOSED Monday & Sunday

[ilve.com.au](http://ilve.com.au)

#### NSW & ACT (Head Office)

48-50 Moore Street  
Leichhardt  
F 02 8569 4699

#### VIC & SA

1211 Toorak Road  
Camberwell  
F 03 9809 2155

#### QLD

1/42 Cavendish Road  
Coorparoo  
F 07 3397 0850

#### WA & NT

Unit 10/55 Howe Street  
Osborne Park  
F 08 9201 9188

#### TAS (Crisp Ikin)

3 Pear Avenue  
Derwent Park, 7009  
P 03 6272 7386

#### New Zealand

PO Box 11.160  
Sockburn Christchurch  
F 03 344 5906

#### DISCLAIMER

Eurolinx PTY LTD, trading as ILVE Appliances, is continually seeking ways to improve the design specifications, aesthetics and production techniques of its products. As a result alterations to our products and designs take place continually. Whilst every effort is made to produce information and literature that is up to date, this brochure should not be regarded as an infallible guide to the current specifications, nor does it constitute an offer for the sale of any particular product. Product dimensions indicated in our literature is indicative only. Actual product only should be used to define dimension cutouts. Distributors, and retailers are not agents of ILVE Appliances and are not authorized to bind ILVE Appliances by any express or implied undertaking or representation.