

# Built-in Microwave

## IV602BIM



Perfect partners, our stainless steel microwave is designed to match perfectly with your choice of ILVE oven. Simple to use and made of the finest materials, with stainless steel used internally, this microwave is easily cleaned and maintained.

Because microwave oven units are usually fitted to supplement the built in oven, it is especially important that they match in design and colour. ILVE appliances are renowned for forming a perfectly integrated family of built in appliances. That's why this microwave comes with an integrated trim kit to build in with your choice of ILVE oven.

# Built-in Microwave

## IV602BIM

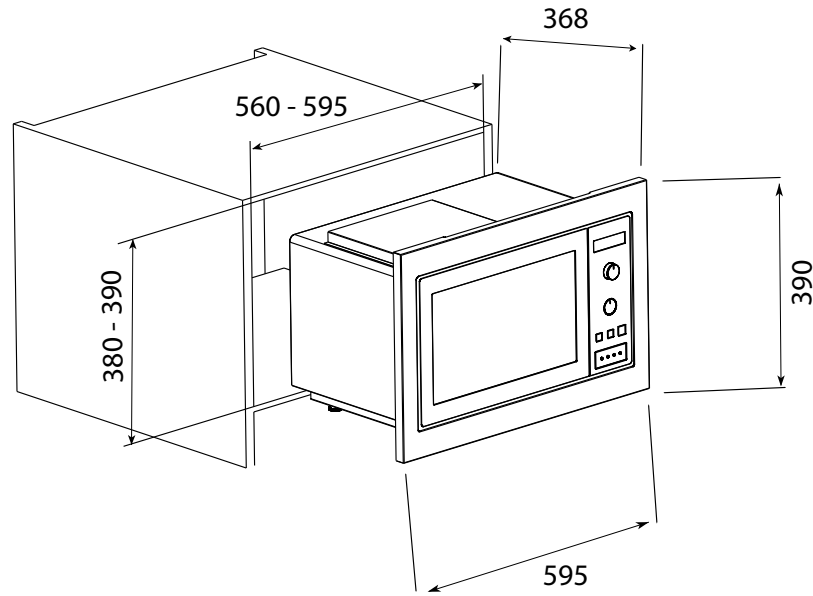


### Model IV602BIM Built-in Microwave

- Made and purpose built to suit all ILVE ovens
- Defrost function
- Child lock
- 1000W Grill
- Input power - 1300W and Output power - 800W
- 11 Electronic programmable auto cook presets
- 25 litre internal volume
- 3 COMBI heat and grill options
- Separate grill and browning function
- 6 power levels
- Stainless Steel exterior and interior
- Digital Display
- 310mm diameter turntable
- Matching stainless steel trimkit attached to the microwave (total 595mm wide)
- Door locking mechanism

### Interior & Accessories

- Grill/browning element
- Control panel
- Turntable
- Grilling rack
- Turntable support



For installation specifications, please consult with ILVE. For optimum installation, we recommend using the actual product as the best guide.

#### 60cm Built-in Microwave Model IV602BIM

Total electrical requirement: 10AMP GPO  
Cable: SAA Plug, 1100mm, 1.0mm<sup>2</sup>

26032019

Australia National Telephone Number 1300 MYILVE (694 583) New Zealand Telephone Number 0508 458 369  
ILVE showrooms are open Tuesday - Friday from 9am-5pm and Saturdays 10am-4pm. CLOSED Monday & Sunday

[ilve.com.au](http://ilve.com.au)

#### NSW & ACT (Head Office)

48-50 Moore Street  
Leichhardt  
F 02 8569 4699

#### VIC & SA

1211 Toorak Road  
Camberwell  
F 03 9809 2155

#### QLD

1/42 Cavendish Road  
Coorparoo  
F 07 3397 0850

#### WA & NT

Unit 10/55 Howe Street  
Osborne Park  
F 08 9201 9188

#### TAS (Crisp Ikin)

3 Pear Avenue  
Derwent Park, 7009  
P 03 6272 7386

#### New Zealand

PO Box 11.160  
Sockburn Christchurch  
F 03 344 5906