

# 60cm Built-in Gas Oven

600 SVG



ILVE's new 600 Series compact ovens are the culmination of 2 years of research and development to bring Australian homes a oven that has the technology, sophistication and appearance that embodies the ILVE brand whilst having many functional advantages over its competitors.

The new size of the cooking cavity provides more cooking space and maximises the full internal size of the oven. Our new ULTRA-Clean light grey, nickel-free enamel interior reduces the toxicity of materials in contact with foods and is easy to clean. The Full size inner door glass provides a panoramic view from the outside of the oven door of what is inside the oven, its fill width also enables easy cleaning with no crevices for food scraps and residue to get trapped.



Minute Minder



Cooking modes on control panel with symbol & words

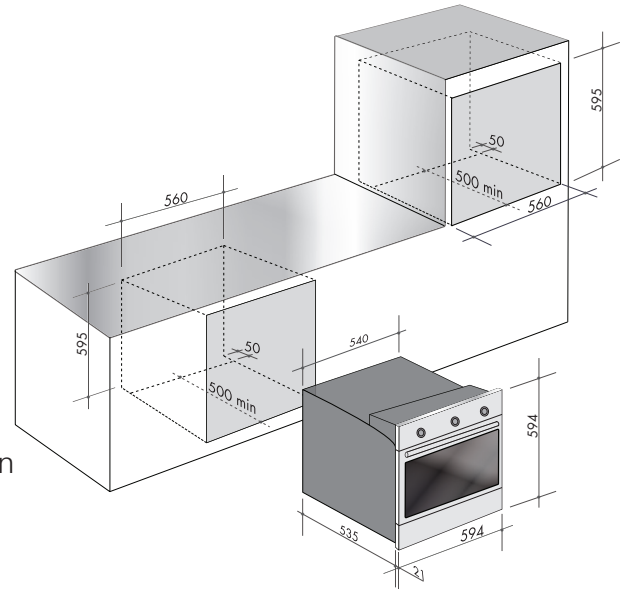
# 60cm Built-in Gas Oven

## 600 SVG



### Model 600 SVG

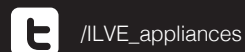
- Select 4 multifunctional expert modes
  - Light, bottom gas flame, grill, fan grill
- 66 litre oven capacity
- PANA-view full-glass oven door and inner glass
- ULTRA-Clean smooth grey cavity
- Cool touch BIO-safe triple glazed glass door
- Dark / black tinted glass on door exterior
- Cooking modes on control panel with symbol & words
- Knob control with digital minute minder
- Standard with 1 x set of telescopic runners - with 75% extraction
- 5 cooking levels
- Removable oven door and inner door glass
- Precision thermostat control: 0°C–250°C
- Included accessories: 2 x Oven racks & 1 x Grill pan (baking dish) set
- Made in Italy



Built-in Oven 60cm  
 Model 600 SVG  
 Total electrical consumption: 1.2kw/h  
 Total gas consumption (NAT): 9 mj/h  
 Total gas consumption (LPG): 7.5 mj/h

11102017

### You can find us on:



Australia National Telephone Number 1300 MYILVE (694 583) New Zealand Telephone Number 0508 458 369  
 ILVE showrooms are open daily from 9am-5pm and Saturdays 10am-4pm

[ilve.com.au](http://ilve.com.au)

#### NSW & ACT (Head Office)

48-50 Moore Street  
 Leichhardt  
 F 02 8569 4699

#### VIC & SA

1211 Toorak Road  
 Camberwell  
 F 03 9809 2155

#### QLD

1/42 Cavendish Road  
 Coorparoo  
 F 07 3397 0850

#### WA & NT

Unit 10/55 Howe Street  
 Osborne Park  
 F 08 9201 9188

#### TAS (Crisp Ikin)

3 Pear Avenue  
 Derwent Park, 7009  
 P 03 6272 7386

#### New Zealand

PO Box 11.160  
 Sockburn Christchurch  
 F 03 344 5906