

# Ceiling Range Hood

## CH900X

MADE  
IN ITALY24 MONTH  
WARRANTY90CM  
WIDELED  
LIGHT

Pictured: CH900X Ceiling Hood

Designed in a modern stainless steel and white glass finish with LED strip lights that produce a natural brightness, illuminating the cooking area. Powered by a sophisticated remote control, the range hood ensures complete control when using the cooktop.

The appliance's innovative "plug & play" system means the hood can easily be installed in either air recycling or duct out modes, making this ceiling hood extremely versatile. The upkeep of the CH9000 has been kept to a minimum with a washable anti grease aluminum filter as well as a light, indicating when the grease filter needs cleaning and maintaining, leaving more time for the more important things in life.... Cooking!



Pictured: Remote control (stand not included)

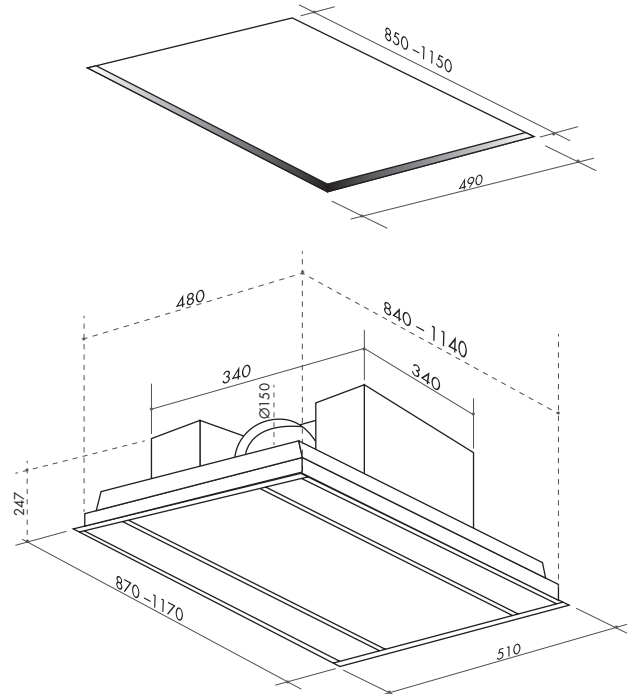
# Ceiling Range Hood

## CH900X



### Model CH900X Ceiling Hood

- Reduced overall dimensions of the motor box to allows installation in small spaces
- Light indicator for grease filter maintenance
- Adjustable and delayed self-switching off
- Perimeter extraction
- Washable anti grease aluminium filter
- Ability to install the motor in remote position
- Charcoal filters available
- Finishing: Inox AISI 430 SB
- Control: Radio remote control 3S + B
- Lighting: LED 6 x 1,2W
- Max. Air flow (m3/h): 920 nett\*
- Motor consumption: 350W
- Outlet: 150 mm, 360° direction
- Duct out ONLY
- European Energy Class: A
- Size: 90cm
- Colour: Stainless Steel



Model: CH900 Ceiling Hood  
Size: 90cm  
Power standard: 10 Amp plug  
Ducting size: 150mm

\*Range Hood extraction rate m3/h reading is measured at:  
1m duct up, 1 x 90°C bend & 1m vertical duct

26102016

Australia National Telephone Number 1300 MYILVE (694 583) New Zealand Telephone Number 0508 458 369  
ILVE showrooms are open Tuesday - Friday from 9am-5pm and Saturdays 10am-4pm. Monday & Sunday closed

[ilve.com.au](http://ilve.com.au)

#### NSW & ACT (Head Office)

48-50 Moore Street  
Leichhardt  
F 02 8569 4699

#### VIC & SA

1211 Toorak Road  
Camberwell  
F 03 9809 2155

#### QLD

1/42 Cavendish Road  
Coorparoo  
F 07 3397 0850

#### WA & NT

Unit 10/55 Howe Street  
Osborne Park  
F 08 9201 9188

#### TAS (Crisp Ikin)

3 Pear Avenue  
Derwent Park, 7009  
P 03 6272 7386

#### New Zealand

PO Box 11.160  
Sockburn Christchurch  
F 03 344 5906

#### DISCLAIMER

Eurolinx PTY LTD, trading as ILVE Appliances, is continually seeking ways to improve the design specifications, aesthetics and production techniques of its products. As a result alterations to our products and designs take place continually. Whilst every effort is made to produce information and literature that is up to date, this brochure should not be regarded as an infallible guide to the current specifications, nor does it constitute an offer for the sale of any particular product. Product dimensions indicated in our literature is indicative only. Actual product only should be used to define dimension cutouts. Distributors, and retailers are not agents of ILVE Appliances and are not authorized to bind ILVE Appliances by any express or implied undertaking or representation.