

Concealed Range Hood

IVCU 60 & 90



MADE IN ITALY



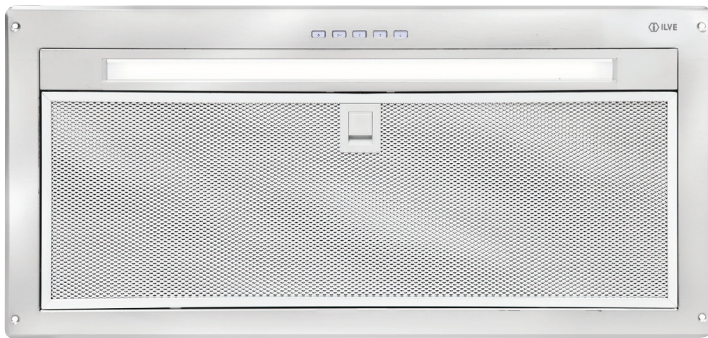
24 MONTH WARRANTY



VARIOUS SIZES



LED LIGHT



Pictured: IVCU 60 - 60cm Concealed Hood

ILVE's concealed rangehoods craftily stand above the rest. Their powerful high speed fan removes cooking odours, smoke and vapour from the kitchen, while extremely fine filters trap all grime. In-built LED Strip Lights produce a natural brightness, illuminating your cooking area while the streamlined electronic control panel ensures whisper quiet air extraction is at your fingertips. It's easy to see that ILVE Rangehood's are built to extract!



Pictured: IVCU 90 - 90cm Concealed Hood

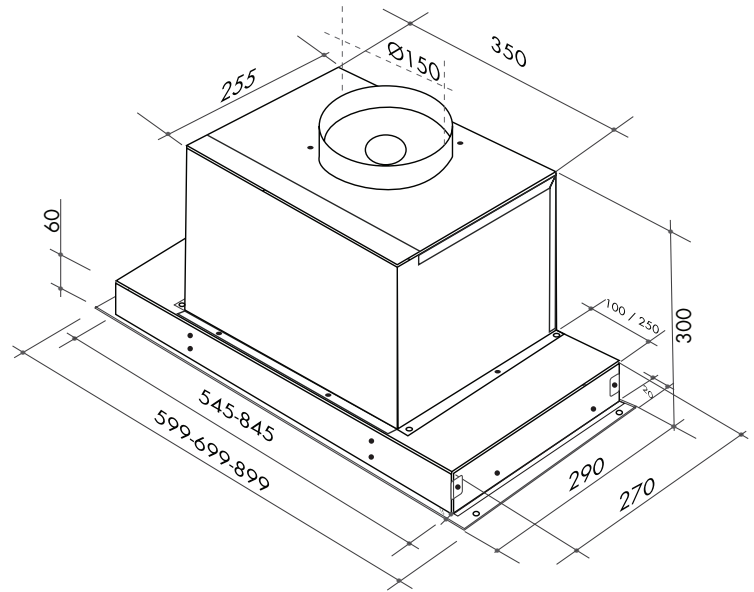
Concealed Range Hood

IVCU 60 & 90



Model IVCU Series Concealed Hood

- Made and purpose built to suit all ILVE appliances
- Available in 60cm and 90cm
- Delayed self-switch off
- 4 speed variation
- Totally concealed hood
- Light indicator for grease filter maintenance
- Filters: aluminium
- Control: button control
- Lighting: LED Strip
- Max. nett Air flow (m³/h): 560*
- Noise (dB): high 68
- Ducting Outlet: 150 mm**
- Size: 60cm & 90cm
- Available Colour: stainless steel
- Suitable for ducting or recirculating***



Type: Concealed Range Hood
Model: IVCU-60 & IVCU90
Size: 60cm & 90cm
Power standard: 10 Amp plug
Ducting size: 150mm

*Range Hood extraction rate m³/h reading is measured at: 1m duct up, 1 x 90°C bend & 1m vertical duct

**Using the conversion back to 125mm may effect performance

***Optional recirculating kit and accessories are available (consult with ILVE)

EXCLUSIVE TO

Harvey Norman

19032020

Australia National Telephone Number 1300 MYILVE (694 583) New Zealand Telephone Number 0508 458 369
ILVE showrooms are open Tuesday-Friday from 9am-5pm and Saturdays 10am-4pm

ilve.com.au

NSW & ACT (Head Office)

48-50 Moore Street
Leichhardt
F 02 8569 4699

VIC & SA

1211 Toorak Road
Camberwell
F 03 9809 2155

QLD

1/42 Cavendish Road
Coorparoo
F 07 3397 0850

WA & NT

Unit 10/55 Howe Street
Osborne Park
F 08 9201 9188

TAS (Crisp Ikin)

3 Pear Avenue
Derwent Park, 7009
P 03 6272 7386

New Zealand

PO Box 11.160
Sockburn Christchurch
F 03 344 5906

DISCLAIMER

Eurolinx PTY LTD, trading as ILVE Appliances, is continually seeking ways to improve the design specifications, aesthetics and production techniques of its products. As a result alterations to our products and designs take place continually. Whilst every effort is made to produce information and literature that is up to date, this brochure should not be regarded as an infallible guide to the current specifications, nor does it constitute an offer for the sale of any particular product. Product dimensions indicated in our literature is indicative only. Actual product only should be used to define dimension cutouts. Distributors, and retailers are not agents of ILVE Appliances and are not authorized to bind ILVE Appliances by any express or implied undertaking or representation.