

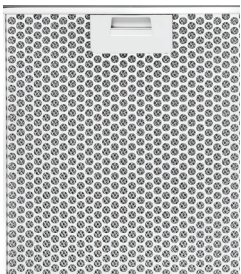
Remote Motor Canopy Range hood

XR400-90



Pictured: • XR400-90 90cm Canopy Range Hood

Incorporating all the features as the X400 Hood, the XR400-90 Remote motor hood reduces the noise in the kitchen by up to 70%. At ILVE, we are dedicated to creating quiet range hoods with maximum performance via the use of a remote extraction system, in which motor is located separate to the hood body (i.e. in the ceiling). By doing this, the noise is reduced rapidly. Both the installation methods of the motor; in the roof (Silent Split Exterior) or in a false ceiling (Silent Split In-line) for example is designed for ease of installation based on your individual needs. In-built LED Lights produce a natural brightness, illuminating your cooking area while the streamlined electronic control panel ensures whisper quiet air extraction is at your fingertips. Either as a visual focal point or discreetly integrated, it is easy to see that ILVE Rangehood's are built to extract!



Pictured:
Stainless Steel Filter



Pictured: • XR400-90 90cm Canopy Range Hood

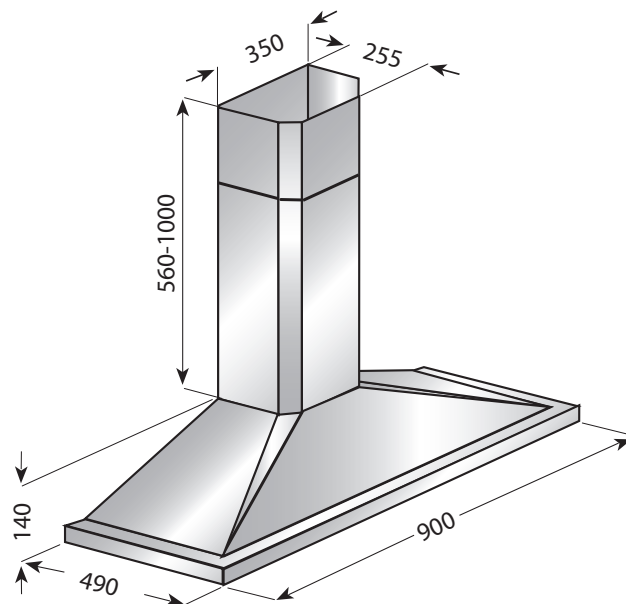
Remote Motor Canopy Range hood

XR400-90

Model XR400

Remote Motor Canopy Range hood

- Designed and purpose built for ILVE appliances
Recommended for Tepanyaki models or when very high air extraction is required
- Ultra sleek design with stainless steel moulded front fascia
- Remote Motor: the fan motor can be installed remotely from the body and cooking area (see copy on previous page)
- Suitable for all ILVE cooktops 80, 90 & 100cm
- Twin turbine high velocity fan, optional in-line motor is available to assist air flow
- **ECO-booster** Feature:
Our new and improved range hoods incorporate a 4th speed that is used as a "ECO-booster". When active, the range hood will operate at a higher speed (4) for 10 minutes, and then the speed will automatically turn down to speed 3.
- Programmable 5, 10, 15, 20 minute auto fan shut-down
- Dishwasher Stainless steel safe filters
- Electronic variable speed control
- Adjustable flue to ceiling your preferred height
- Motor cut out fire protection
- LED lighting
- Filter cleaning reminder light
- Max. Air flow (m³/h): 920 net or 1200 gross*
- Noise (dB): high 62
- AS304 stainless steel construction
- Sizes: 90cm
- Colour: Stainless Steel
- Ducting size: 150mm**



Model: XR400-90 Canopy Hood
Size: 90cm ONLY
Power standard: 10 Amp plug
Ducting size: 150mm
Extended flue pipe is available from ILVE

*Range Hood extraction rate m³/h reading is measured at:
1m duct up, 1 x 90°C bend & 1m vertical duct

**Using the conversion back to 125mm may effect performance

16022017

Australia National Telephone Number 1300 MYILVE (694 583) New Zealand Telephone Number 0508 458 369
ILVE showrooms are open Tuesday - Friday from 9am-5pm and Saturdays 10am-4pm. CLOSED Monday & Sunday

ilve.com.au

NSW & ACT (Head Office)

48-50 Moore Street
Leichhardt
F 02 8569 4699

VIC & SA

1211 Toorak Road
Camberwell
F 03 9809 2155

QLD

1/42 Cavendish Road
Coorparoo
F 07 3397 0850

WA & NT

Unit 10/55 Howe Street
Osborne Park
F 08 9201 9188

TAS (Crisp Ikin)

3 Pear Avenue
Derwent Park, 7009
P 03 6272 7386

New Zealand

PO Box 11.160
Sockburn Christchurch
F 03 344 5906

DISCLAIMER

Eurolinx PTY LTD, trading as ILVE Appliances, is continually seeking ways to improve the design specifications, aesthetics and production techniques of its products. As a result alterations to our products and designs take place continually. Whilst every effort is made to produce information and literature that is up to date, this brochure should not be regarded as an infallible guide to the current specifications, nor does it constitute an offer for the sale of any particular product. Product dimensions indicated in our literature is indicative only. Actual product only should be used to define dimension cutouts. Distributors, and retailers are not agents of ILVE Appliances and are not authorized to bind ILVE Appliances by any express or implied undertaking or representation.