

# 60cm Built-in Pyrolytic Oven

## 600 SPYTC



- COOL TOUCH
- MADE IN ITALY
- TOUCH CONTROL
- CHEF ASSIST
- EXPERT MODE
- PYROLYTIC CLEANING
- 17 MULTI-FUNCTION MODES
- PRESET RECIPES
- 24 MONTH WARRANTY
- COOKING LEVELS
- 60CM WIDE



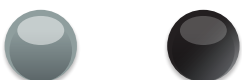
600SPYTCBV in Black Glass Finish

ILVE's new 600 Series large cavity ovens are the culmination of 2 years of research and development to bring Australian homes a oven that has the technology, sophistication and appearance that embodies the ILVE brand whilst having many functional advantages over its competitors.

Technology is at the forefront offering a new feature we call 'CHEF-assist'. A colour, TFT touch screen with smart control panel available in 11 different languages, over 35 preset recipe modes and upto 100 saved 'personalised' recipes enable you to cook any dish for the entire family, perfectly. To make cooking even more enjoyable the latest range also offers automatic cooking times, weight presets and has the brilliant function of allowing you to change the thermostat from Degrees to Fahrenheit, making recipe temperature conversions and control easier than ever before.

The new size of the cooking cavity provides more cooking space and maximises the full internal size of the oven. Our new ULTRA-Clean light grey, nickel-free enamel interior reduces the toxicity of materials in contact with foods and is easy to clean. Standard in the oven are Telescopic racks that are totally removable making the use of the ovens baking trays and general cooking in the oven easy and effortless. The Full size inner door glass provides a panoramic view from the outside of the oven door of what is inside the oven, its full width also enables easy cleaning with no crevices for food scraps and residue to get trapped.

### Available Colours



Stainless Steel    Black Glass



ULTRA-Clean smooth grey cavity



Preset Cooking & Smart Touch Control Panel

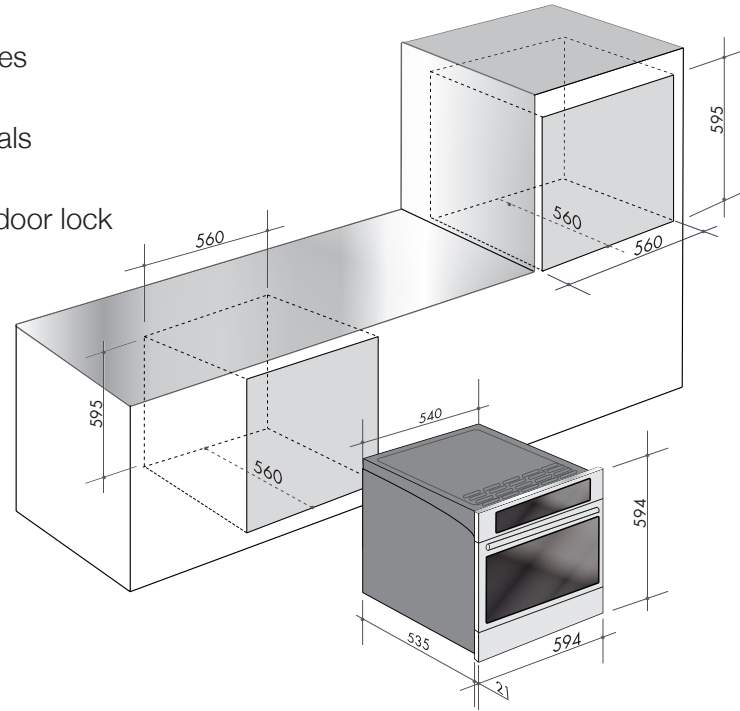
# 60cm Built-in Pyrolytic Oven

## 600 SPYTC



### Model 600 SPYTC

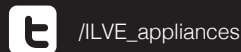
- Select 17 specialised manual expert multifunctional modes
- CHEF-assist with over 35 preset recipes with automatic cooking time and weight preset for a variety of family meals
- Save upto 100 of your favoured most used recipes
- PYRO-clean mode for pyrolytic cleaning with electronic door lock
- ULTRA-Clean smooth grey cavity
- Cool touch BIO-safe quadruple glazed glass door
- PANA-view full-glass oven door and inner glass
- 11 different language settings
- 66 litre oven capacity
- Time (12h or 24h) and date setting
- Touch control TFT display with brightness adjustment
- Accurate digital thermostat control 0°C - 250°C
- °C or °F setting
- Dark / black tinted glass on door exterior
- Pre programmable timer with 3 beeper level options
- Closed door grilling
- Standard with 1 x set of telescopic runners - with 100% extraction
- 5 cooking levels
- Removable oven door and inner door glass
- Precision thermostat control
- Included accessories: 2 x Oven racks & 1 x Grill pan (baking dish) set
- Made in Italy



Built-in Oven 60cm  
Model 600 SPYTC  
Total electrical load: 3.5 kw/h

05052017

### You can find us on:



Australia National Telephone Number 1300 MYILVE (694 583) New Zealand Telephone Number 0508 458 369  
ILVE showrooms are open Tuesday - Friday from 9am-5pm and Saturdays 10am-4pm

ilve.com.au

#### NSW & ACT (Head Office)

48-50 Moore Street  
Leichhardt  
F 02 8569 4699

#### VIC & SA

1211 Toorak Road  
Camberwell  
F 03 9809 2155

#### QLD

1/42 Cavendish Road  
Coorparoo  
F 07 3397 0850

#### WA & NT

Unit 10/55 Howe Street  
Osborne Park  
F 08 9201 9188

#### TAS (Crisp Ikin)

3 Pear Avenue  
Derwent Park, 7009  
P 03 6272 7386

#### New Zealand

PO Box 11.160  
Sockburn Christchurch  
F 03 344 5906