

76CM BUILT-IN PYROLYTIC OVEN

760 SPYTCBV



ILVE's new 760 Series large cavity oven is the culmination of 2 years of research and development to bring Australian homes a oven that has the technology, sophistication and appearance that embodies the ILVE brand whilst having many functional advantages over its competitors.

Technology is at the forefront offering a new feature we call 'CHEF-assist'. A colour, TFT touch screen with smart control panel available in 11 different languages, over 35 preset recipe modes and upto 100 saved 'personalised' recipes enable you to cook any dish for the entire family, perfectly. To make cooking even more enjoyable the latest range also offers automatic cooking times, weight presets and has the brilliant function of allowing you to change the thermostat from Degrees to Fahrenheit, making recipe temperature conversions and control easier than ever before.

The new size of the cooking cavity provides more cooking space and maximises the full internal size of the oven. Our new ULTRA-Clean light grey, nickel-free enamel interior reduces the toxicity of materials in contact with foods and is easy to clean. Standard in the oven are Telescopic racks that are totally removable making the use of the ovens baking trays and general cooking in the oven easy and effortless. The Full size inner door glass provides a panoramic view from the outside of the oven door of what is inside the oven, its full width also enables easy cleaning with no crevices for food scraps and residue to get trapped.



760SPYTCI in Stainless Steel Finish



COLOUR OPTIONS

Available in Black Glass (featured) & Stainless Steel (Model: 760 SPYTCI)



ULTRA-Clean smooth grey cavity



Preset Cooking & Smart Touch Control Panel



76CM BUILT-IN PYROLYTIC OVEN

760 SPYTCBV



760 SPYTCBV PYROLYTIC OVEN

FEATURES

- ULTRA-Clean smooth grey cavity
- PANA-View full-glass oven door and inner glass
- Twin fan heating providing even heat distribution with reduced hot spots and consistent heat
- 11 different language settings
- Time (12h or 24h) and date setting
- Touch control TFT display with brightness adjustment
- Accurate digital thermostat control: 0°C-250°C
- Option for °C or °F setting
- Dark / black tinted glass on door exterior
- Pre programmable timer with 3 beeper level options
- Closed door grilling

SAFETY

- Cool touch BIO-Safe quadruple glazed glass door

FUNCTIONS

- Select 17 specialised manual multifunctional modes
- CHEF-Assist with over 35 preset recipes with automatic cooking time and weight preset for a variety of family meals
- Save up to 100 of your favoured most used recipes

CLEANING

- PYRO-Clean mode for pyrolytic cleaning with electronic door lock
- Removable oven door and inner door glass

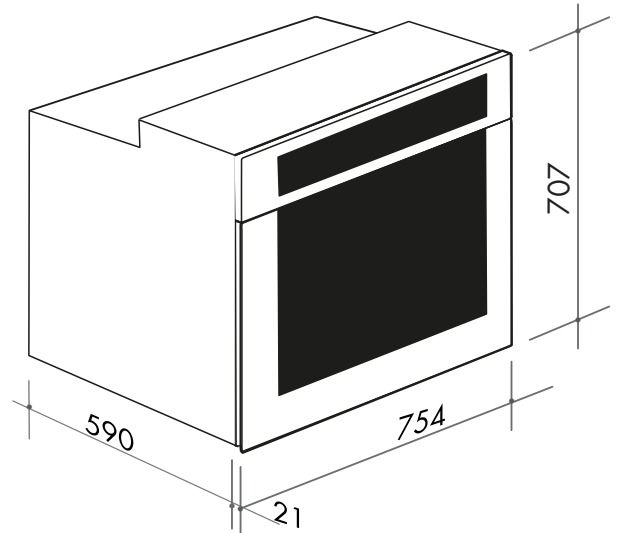
CAPACITY & INTERIOR

- 123 litre oven capacity
- 5 cooking levels

ACCESSORIES

- Standard with 1 x set of telescopic runners – with 75% extraction
- 2 x oven racks and 1 x grill pan (baking dish) set

* Matching Stainless Steel or Black Glass trim kit is available when matching with the ILVE ILCM45 or ILCS45 Combi Ovens
* Limited distribution



- Built-in Oven 76cm
- Model 760 SPYTCBV
- Total electrical load: 3.7kw/h



04092019

FOLLOW US ON:

facebook.com/ILVEappliances

instagram.com/ILVE_appliances

youtube.com/ILVEappliances

BLOG livewithilve.com

Australia National Telephone Number 1300 MYILVE (694 583) New Zealand Telephone Number 64 3 344 5913

ILVE showroom hours: Tuesday to Friday - 9am-5pm, Saturday - 10am-4pm, Sunday and Monday - closed

* Melbourne showroom hours: Tuesday to Saturday - 10am-4pm

ilve.com.au

NSW & ACT (Head Office)

48-50 Moore Street
Leichhardt
F 02 8569 4699

VIC & SA

1211 Toorak Road
Camberwell
F 03 9809 2155

QLD

1/42 Cavendish Road
Coorparoo
F 07 3397 0850

WA & NT

Unit 10/55 Howe Street
Osborne Park
F 08 9201 9188

TAS

3 Pear Avenue
Derwent Park
P 03 6272 7386

New Zealand

PO Box 11.160
Sockburn Christchurch
F 03 344 5906