

# 90CM BUILT-IN ELECTRIC OVEN



## 900 STCP BV

-   
**COOL TOUCH**
-   
**MADE IN ITALY**
-   
**TOUCH CONTROL**
-   
**CHEF ASSIST**
-   
**EXPERT MODE**
-   
**14 MULTI-FUNCTION MODES**
-   
**PRESET RECIPES**
-   
**24 MONTH WARRANTY**
-   
**COOKING LEVELS**
-   
**90CM WIDE**



ULTRA-Clean smooth grey cavity and Twin Fan Oven Cavity

ILVE's new 900 Series large cavity ovens are the culmination of 2 years of research and development to bring Australian homes a oven that has the technology, sophistication and appearance that embodies the ILVE brand whilst having many functional advantages over its competitors.

Technology is at the forefront offering a new feature we call 'CHEF-assist'. A colour, TFT touch screen with smart control panel available in 11 different languages, over 35 preset recipe modes and upto 100 saved 'personalised' recipes enable you to cook any dish for the entire family, perfectly. To make cooking even more enjoyable the latest range also offers automatic cooking times, weight presets and has the brilliant function of allowing you to change the thermostat from Degrees Celsius to Fahrenheit, making recipe temperature conversions and control easier than ever before.

The new size of the cooking cavity provides more cooking space and maximises the full internal size of the oven. Our new ULTRA-Clean light grey, nickel-free enamel interior reduces the toxicity of materials in contact with foods and is easy to clean. Another new feature is the S-MOVE soft-closing door allows you to gently close the oven door with a simple push, preventing door impact; without using your hands, which are free to perform other tasks. Standard in the oven are Telescopic racks that are totally removable making the use of the ovens baking trays and general cooking in the oven easy and effortless. The Full size inner door glass provides a panoramic view from the outside of the oven door of what is inside the oven, its full width also enables easy cleaning with no crevices for food scraps and residue to get trapped.

### Available Colours

-  Black Glass
-  Stainless Steel



S-move soft & gentle closing door hinges



Preset Cooking & Smart Touch Control Panel



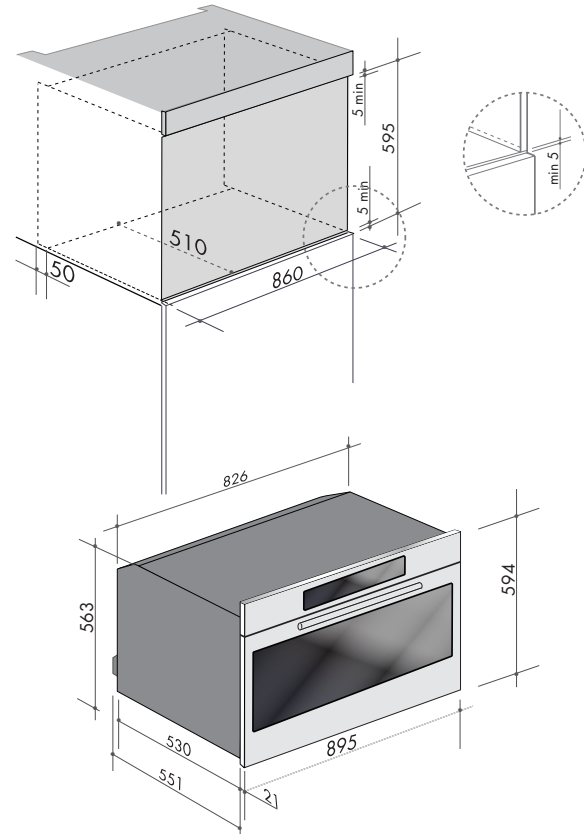
# 90CM BUILT-IN ELECTRIC OVEN

## 900 STCP BV



### Model 900 STCP BV

- Select 14 specialised manual expert modes
- CHEF-assist with over 35 preset recipes with automatic cooking time and weight preset for a variety of family meals
- Save upto 100 of your favoured most used recipes
- ULTRA-Clean smooth grey cavity
- Cool touch BIO-safe triple glazed glass door
- PANA-view full-glass oven door and inner glass
- S-move soft & gentle closing door hinges
- Twin fan heating providing even heat distribution with reduced hot spots & consistent heat
- Extra large 102L oven capacity
- A+ Energy class
- 11 different language settings
- Time (12h or 24h) and date setting
- Touch control TFT display with brightness adjustment
- Dark / black tinted glass on door exterior
- Pre programmable timer with 3 beeper level options
- Accurate digital thermostat control 0°C - 250°C
- °C or °F setting
- Closed door grilling
- Standard with 1 x set of telescopic runners - with 75% extraction
- 5 cooking levels
- Removable oven door and inner door glass
- Included accessories: 2 x Oven racks & 1 x Grill pan (baking dish) set
- Made in Italy



Model 900 STCP Built-in 90cm Oven  
 H05RR-F 3x1,5 mm  
 H05VV-F 3x1,5 mm  
 H05RN-F 3x1,5 mm  
 H05V2V2-F 3x1,5 mm  
 Total electrical load: 3.5kw/h

04092019

### FOLLOW US ON:



facebook.com/ILVEappliances



instagram.com/ILVE\_appliances



youtube.com/ILVEappliances



livewithilve.com

Australia National Telephone Number 1300 MYILVE (694 583) New Zealand Telephone Number 64 3 344 5913

ILVE showroom hours: Tuesday to Friday - 9am-5pm, Saturday - 10am-4pm, Sunday and Monday - closed

\* Melbourne showroom hours: Tuesday to Saturday - 10am-4pm

ilve.com.au

#### NSW & ACT (Head Office)

48-50 Moore Street  
 Leichhardt  
 F 02 8569 4699

#### VIC & SA

1211 Toorak Road  
 Camberwell  
 F 03 9809 2155

#### QLD

1/42 Cavendish Road  
 Coorparoo  
 F 07 3397 0850

#### WA & NT

Unit 10/55 Howe Street  
 Osborne Park  
 F 08 9201 9188

#### TAS

3 Pear Avenue  
 Derwent Park  
 P 03 6272 7386

#### New Zealand

PO Box 11.160  
 Sockburn Christchurch  
 F 03 344 5906

#### DISCLAIMER

Eurolinx PTY LTD, trading as ILVE Appliances, is continually seeking ways to improve the design specifications, aesthetics and production techniques of its products. As a result alterations to our products and designs take place continually. Whilst every effort is made to produce information and literature that is up to date, this brochure should not be regarded as an infallible guide to the current specifications, nor does it constitute an offer for the sale of any particular product. Product dimensions indicated in our literature is indicative only. Actual product only should be used to define dimension cutouts. Distributors, and retailers are not agents of ILVE Appliances and are not authorized to bind ILVE Appliances by any express or implied undertaking or representation.