

# Concealed Range Hood

## HU 60 & 80



MADE  
IN ITALY



24 MONTH  
WARRANTY



LED  
LIGHT



VARIOUS  
SIZES



Pictured: HU 60 - 60cm Concealed Hood



Adjustable and delayed self-switching off:

This function allows you to programme a delayed range hood shutdown which provides the right level of air purity in your kitchen.

Light indicator for grease filter maintenance:

The range hood automatically informs you when the grease filter designed for trapping grease in the air requires cleaning. It is of utmost importance to clean these filters to ensure range hood components are protected and to prevent bad odours caused by a build-up of grease

Perimeter extraction:

This consists of a mechanical system that literally forces & pushes the cooking fumes extracted along a slit that runs along the perimeter of the range hood. This system increases extraction performance whilst reducing range hood noise emission. Design and appearance are also improved as the grease filters are no longer visible.

# Concealed Range Hood

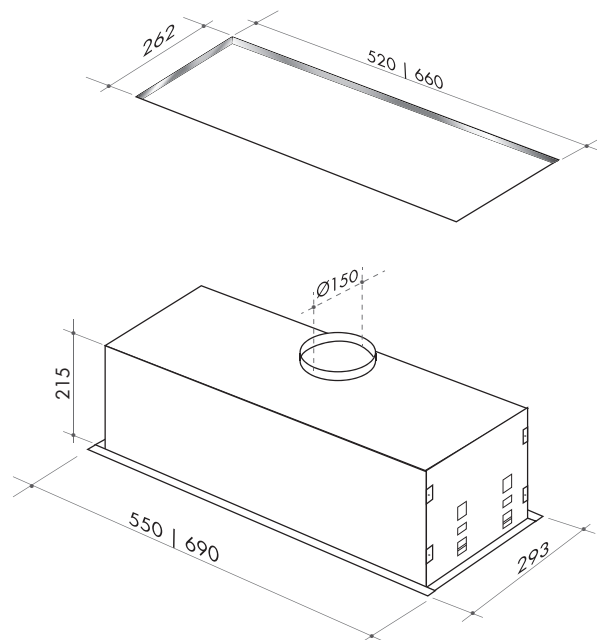
## HU 60 & 80



### Model HU Series

#### Concealed under cupboard Hood

- Under cupboard range hood
- Energy Class: A
- Filters: aluminium
- Control: soft touch control
- Lighting: 2 x LED
- Max. Air flow (m<sup>3</sup>/h): 550 net or 715 gross\*
- Motor consumption: 275 W
- Noise (dB): max. 64
- Ducting Outlet: 150 mm\*\*
- Ducting: duct out\*\*\*
- Size: 60cm & 70cm
- Available Colour: brushed stainless steel (face)
- Suitable for cooktops 60cm, 70cm & 80cm



Type: Concealed Range Hood  
Model: HU-60 & HU-80  
Size: 60cm & 70cm  
Power standard: 10 Amp plug  
Ducting size: 150mm

\*Range Hood extraction rate m<sup>3</sup>/h reading is measured at: 1m duct up, 1 x 90°C bend & 1m vertical duct

\*\*Using the conversion *back* to 125mm may effect performance

\*\*\*Optional recirculating kit and accessories are available (consult with ILVE)

01112016

Australia National Telephone Number 1300 MYILVE (694 583) New Zealand Telephone Number 0508 458 369  
ILVE showrooms are open Tuesday - Friday from 9am-5pm and Saturdays 10am-4pm. CLOSED Monday & Sunday

[ilve.com.au](http://ilve.com.au)

#### NSW & ACT (Head Office)

48-50 Moore Street  
Leichhardt  
F 02 8569 4699

#### VIC & SA

1211 Toorak Road  
Camberwell  
F 03 9809 2155

#### QLD

1/42 Cavendish Road  
Coorparoo  
F 07 3397 0850

#### WA & NT

Unit 10/55 Howe Street  
Osborne Park  
F 08 9201 9188

#### TAS (Crisp Ikin)

3 Pear Avenue  
Derwent Park, 7009  
P 03 6272 7386

#### New Zealand

PO Box 11.160  
Sockburn Christchurch  
F 03 344 5906

#### DISCLAIMER

Eurolinx PTY LTD, trading as ILVE Appliances, is continually seeking ways to improve the design specifications, aesthetics and production techniques of its products. As a result alterations to our products and designs take place continually. Whilst every effort is made to produce information and literature that is up to date, this brochure should not be regarded as an infallible guide to the current specifications, nor does it constitute an offer for the sale of any particular product. Product dimensions indicated in our literature is indicative only. Actual product only should be used to define dimension cutouts. Distributors, and retailers are not agents of ILVE Appliances and are not authorized to bind ILVE Appliances by any express or implied undertaking or representation.