

CONCEALED RANGE HOOD

HU 60 & 80



MADE
IN ITALY



24 MONTH
WARRANTY



MOTOR
CUT OUT FIRE
PROTECTION



LED
GLOBE



LOW
NOISE



Pictured: HU 60 - 60cm Concealed Hood

ADJUSTABLE AND DELAYED SELF-SWITCHING OFF:

This function allows you to programme a delayed range hood shutdown which provides the right level of air purity in your kitchen.

LIGHT INDICATOR FOR GREASE FILTER MAINTENANCE:

The range hood automatically informs you when the grease filter designed for trapping grease in the air requires cleaning. It is of utmost importance to clean these filters to ensure range hood components are protected and to prevent bad odours caused by a build-up of grease.

PERIMETER EXTRACTION:

This consists of a mechanical system that literally forces & pushes the cooking fumes extracted along a slit that runs along the perimeter of the range hood. This system increases extraction performance whilst reducing range hood noise emission. Design and appearance are also improved as the grease filters are no longer visible.

Standard Option - Rangehood Colour



Stainless Steel



CONCEALED RANGE HOOD



HU 60 & 80

HU-SERIES CONCEALED HOOD

FEATURES

- brushed stainless steel (face)
- Under cupboard range hood
- Suitable for cooktops 60cm, 70cm & 80cm
- Energy Class: A
- soft touch control
- 2 x led lights
- Noise (dB): max. 64

SAFETY

- Motor cut out fire protection

CLEANING

- Filter cleaning in warm soapy water

FILTERS

- Aluminium filters

MOTOR

- Max. Air flow (m³/h): 550 net or 715 gross*
- Motor consumption: 275 W

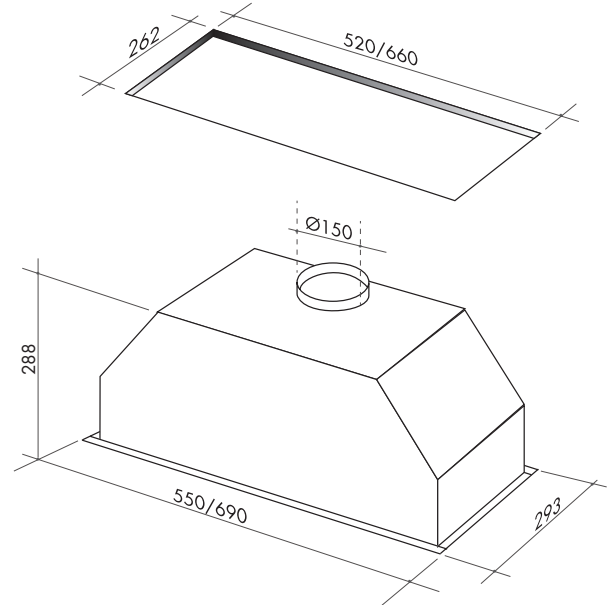
DETAILED INFORMATION

- Power standard: 10 Amp plug
- Ducting Outlet: 150 mm**
- Ducting: duct out***
- Size: 55cm & 69cm

*Range Hood extraction rate m³/h reading is measured at: 1m duct up, 1 x 90°C bend & 1m vertical duct

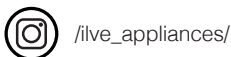
**Using the conversion back to 125mm may effect performance

***Optional recirculating kit and accessories are available (consult with ILVE)



NB: drawings are not to scale — they are to be used as a guide only

FOLLOW US:



Page 2/2
14012021

Australia National Telephone Number 1300 MYILVE (694 583) New Zealand Telephone Number 0508 458 369
ILVE showrooms are open daily from 9am-5pm and Saturdays 10am-4pm

ilve.com.au

NSW & ACT (Head Office)

48-50 Moore Street
Leichhardt
F 02 8569 4699

QLD

1/42 Cavendish Road
Coorparoo
F 07 3397 0850

WA & NT

Unit 10/55 Howe Street
Osborne Park
F 08 9201 9188

New Zealand

PO Box 11.160
Sockburn Christchurch
F 03 344 5906

DISCLAIMER
Eurolinx PTY LTD, trading as ILVE Appliances, is continually seeking ways to improve the design specifications, aesthetics and production techniques of its products. As a result alterations to our products and designs take place continually. Whilst every effort is made to produce information and literature that is up to date, this brochure should not be regarded as an infallible guide to the current specifications, nor does it constitute an offer for the sale of any particular product. Product dimensions indicated in our literature is indicative only. Actual product only should be used to define dimension cutouts. Distributors, and retailers are not agents of ILVE Appliances and are not authorized to bind ILVE Appliances by any express or implied undertaking or representation.