

ILVE HN906NMP/NX NOSTALGIE

90CM FREESTANDING COOKERS

GAS COOKTOP & ELECTRIC OVEN

LIVE WITH
ILVE

The newest edition to the HN Series of ILVE cookers is the Distinct Nostalgie range. Apart of ILVE's trademark design, we are happy to now have the range available as a standard cooker in the popular HNF Series Cookers.

Incorporating many of the world class features that you would expect from ILVE. One of these features are ILVE's famous **Brass Burners**, it is assured that value for money is top of mind!

ILVE uses our own burner design. Production of the Venturi is horizontal, as used in the professional cookers. The primary air can be adjusted meaning the cooktop can be used with all types of gas. The air:gas ratio is optimised and the flame can be adjusted. This has a great positive impact in lower emission of CO (carbon monoxide) gases well up to 1/100 compared with the reference standard. ILVE brass burners combine technical precision with performance. Our new Triple ring design guarantees scorching heat is achieved in an instant. Great for Wok cooking, boiling and grilling.



HN906NMP/NX

Available Colour



Gloss Black

Available Fitting



Chrome



MADE
IN ITALY



24 MONTH
WARRANTY



90CM
WIDE



10 MULTI-
FUNCTION
MODES



DIGITAL
DISPLAY



COOL
TOUCH



COOKING
LEVELS



BRASS
BURNER

EXCLUSIVE TO

Harvey Norman

ILVE HN906NMP/NX NOSTALGIE

90CM FREESTANDING COOKERS

GAS COOKTOP & ELECTRIC OVEN



HN906NMP/NX Freestanding Cooker

Available in Nostalgie Gloss Black

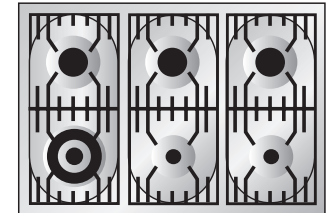
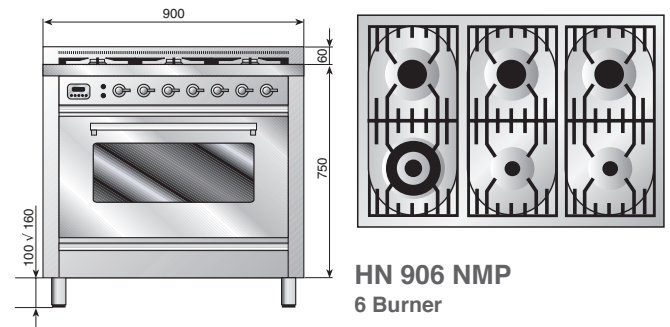
Features

90cm Electric Oven

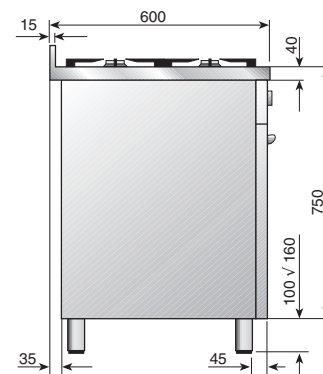
- Giant 110 litre oven capacity
- New Turbowave Quickstart preheating function 0°C – 175°C in 8 minutes
- Pizza, bread and pastry cooking function
- Recessed grill element
- Select 10 multifunction electric oven
- Inner door and control panel cooling fan
- 2 x Oven racks and baking tray with grill insert
- Removable oven door and inner door glass
- Easy dismantling of oven interior
- European A class energy rating
- Easy clean non staining black vitreous enamel oven interior
- Pre-programmable Clock and Oven timer
- Thermostatically controlled cavity cooling fan
- Catalytic cook and clean interior on oven sides and rear
- Sealed Oven: Lower temperatures, less food splatter, moister and fresher tasting roasts
- Double spill trays on floor of oven
- Positive stop glide internal trays
- Large baking tray
- Triple glazed glass door: Tinted to keep the heat inside the oven and resulting in a 'cool to touch' door exterior
- Stainless steel legs can detach and are adjustable from 100mm to 160mm

90cm 6 Burner Gas Cooktop

- Large cooking surface with spacious burner layout
- Triple ring all purpose super wok burner (5 kW – European Tested)
- ILVE brass burners featured throughout the cooking surface
- Three high speed, variable to medium and low, & Two small low simmer burners
- Precision burner controls each with position accurate thermostatic control
- Cast iron pan support trivets and burner caps in matt black finish
- All gas burners fitted with flame failure safety devices
- Sealed hob with deep recessed spill tray
- Easy clean removable trivets and burners
- Single pressed AS304 stainless steel hob with 40mm edging
- Auto electronic one touch flame ignition to all gas burners



HN 906 NMP
6 Burner



Model: HN 906 NMP
Gas consumption: 54.9 MJ/h
Total electrical load: 3.7 kW

EXCLUSIVE TO

Harvey Norman

You can find us on:

facebook.com/ILVEappliances

twitter.com/ILVE_appliances

youtube.com/ILVEappliances

BLOG livewithilve.com

Australia National Telephone Number 1300 MYILVE (694 583) New Zealand Telephone Number 0508 458 369
ILVE showrooms are open Tuesday - Friday from 9am-5pm and Saturdays 10am-4pm. Monday & Sunday closed

ilve.com.au

NSW & ACT (Head Office)

48-50 Moore Street
Leichhardt
F 02 8569 4699

VIC & SA

1211 Toorak Road
Camberwell
F 03 9809 2155

QLD

1/42 Cavendish Road
Coorparoo
F 07 3397 0850

WA & NT

Unit 10/55 Howe Street
Osborne Park
F 08 9201 9188

TAS (Crisp Ikin)

3 Pear Avenue
Derwent Park, 7009
P 03 6272 7386

New Zealand

PO Box 11.160
Sockburn Christchurch
F 03 344 5906

DISCLAIMER

Eurolinx PTY LTD, trading as ILVE Appliances, is continually seeking ways to improve the design specifications, aesthetics and production techniques of its products. As a result alterations to our products and designs take place continually. Whilst every effort is made to produce information and literature that is up to date, this brochure should not be regarded as an infallible guide to the current specifications, nor does it constitute an offer for the sale of any particular product. Product dimensions indicated in our literature is indicative only. Actual product only should be used to define dimension cutouts. Distributors, and retailers are not agents of ILVE Appliances and are not authorized to bind ILVE Appliances by any express or implied undertaking or representation.