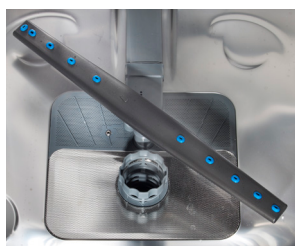


IVDFIP5/1

fully-integrated dishwasher



Door panel not included



NEW 360° spray arm

NEW Mini Dispenser



Compared to the current flat one, the new 360° SPRAY ARM ensures there is no dead angle during washing, thus providing a better cleaning performance.

New mini sliding dispenser is compact & easier to use it has better control of the detergent dosage thus achieving better washing performance

With these new improvements, washing performance improves by 2% & drying performance improves more than 13 % compared to other models.

Model IVDFIP5/1 Fully Integrated Dishwasher

Finish

- Stainless steel

Capacity

- 15 place settings

Features

- NEW 360° spray arm
- NEW Mini dispenser
- NEW turbo fan
- electronic control with direct controls to settings: On/Off, Strong wash, Extra drying, Alternative wash, Programs, Delay, Child lock, Start/Pause
- noise level: 47dBA
- child lock
- LED screen & Interior light
- 8 programs — Intensive, Heavy, ECO, 90 minute wash, Glass, Rapid, Pre-wash, Auto
- drying function & natural drying system
- delay start: 1 - 24 hours
- flow meter water sensor
- anti-flood device
- third layer cutlery basket/tray
- height adjustable upper basket 'lift up' with handles
- basket colour: grey
- VDE hose

Control Panel & User Interface Buttons

- Start/Pause button
- LCD Display
- Rinse-aid indicator

Size

- 598W x 570D x 815H

Power

- 10 amp, 3-pin plug with 150mm cord

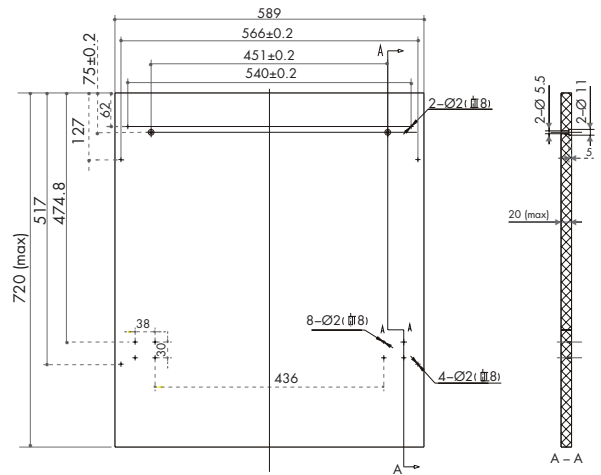
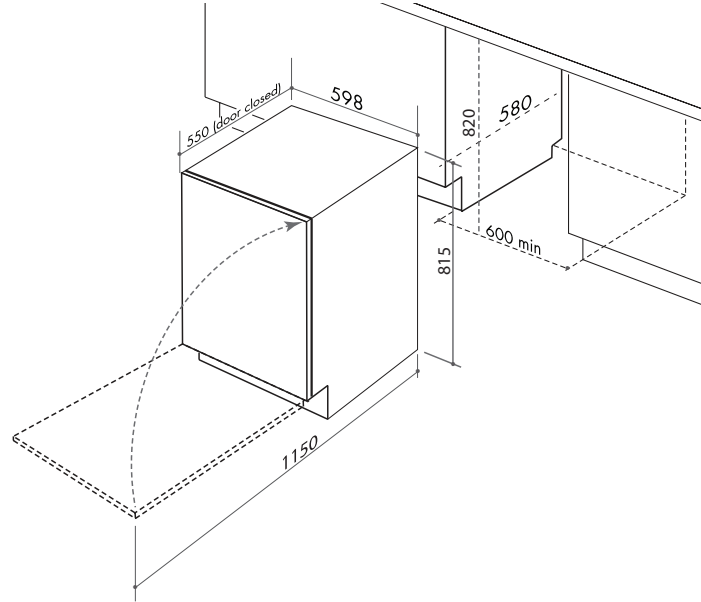
Technical

- water inlet hose: 150mm, water outlet hose: 175mm

IVDFIP5/1

fully-integrated dishwasher

Program	Description Of Cycle	Detergent Pre/Main	Running Time(min)	Energy (Kwh)	Water (L)	Rinse Aid
 Auto	Pre-wash(45°C) Autowash (45-55°C) Rinse Rinse(65°C) Drying.	5/28.75g (1 piece)	150	0.9 -1.3	11-15	●
 Intensive	Pre-wash(50°C) Wash(60°C) Rinse Rinse Rinse(70°C) Drying	5/28.75g (1 piece)	175	1.4	17.5	●
 Heavy	Pre-wash(45°C) Wash(55°C) Rinse Rinse(65°C) Drying	5/28.75g (1 piece)	185	1.1	13.5	●
ECO (*AS/NZS 2007.1)	Pre-wash Wash(45°C) Rinse(45°C) Drying	5/28.75g (1 piece)	195	0.612	11.98	●
 Glass	Pre-wash Wash(40°C) Rinse Rinse(60°C) Drying	5/28.75g (1 piece)	130	0.75	13	●
 90 Min	Wash(65°C) Rinse Rinse(65°C) Drying	33.75g (1 piece)	90	1.15	12.5	●
 Rapid	Wash(45°C) Rinse(55°C) Rinse(55°C)	20g	30	0.7	11	○
 Soak	Prewash		15	0.02	4	○



NB: drawings are not to scale — they are to be used as a guide only

EAN 9341584038241

FOLLOW US ON:

 facebook.com/ILVEappliances

 instagram.com/ILVE_appliances

 youtube.com/ILVEappliances

BLOG livewithilve.com

Australia National Telephone Number 1300 MYILVE (694 583) New Zealand Telephone Number 64 3 344 5913

ILVE showroom hours: Tuesday to Friday - 9am-5pm, Saturday - 10am-4pm, Sunday and Monday - closed

* Melbourne showroom hours: Tuesday to Saturday - 10am-4pm

ilve.com.au

NSW & ACT (Head Office)
48-50 Moore Street
Leichhardt
F 02 8569 4699

VIC & SA
1211 Toorak Road
Camberwell
F 03 9809 2155

QLD
1/42 Cavendish Road
Coorparoo
F 07 3397 0850

WA & NT
Unit 10/55 Howe Street
Osborne Park
F 08 9201 9188

New Zealand
PO Box 11.160
Sockburn Christchurch
F 03 344 5906