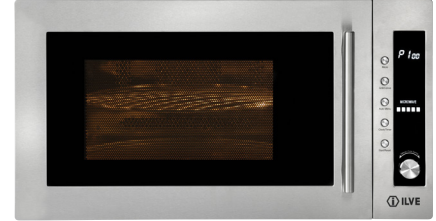


ILVE COMMERCIAL

MULTI-RESIDENTIAL & HOME BUILDER PRODUCT RANGE

IVFSCM34X BENCHTOP CONVECTION MICROWAVE



Our stainless steel microwave ovens are designed to complement your choice of ILVE oven. Simple to use and made of the finest materials, with stainless steel used internally, this microwave is easily cleaned and maintained. Because microwave oven units are usually fitted to supplement the built-in oven, it is especially important that they match in design and colour. ILVE appliances are renowned for forming a perfectly integrated family of built-in appliances. That's why this microwave comes with an integrated trimkit to build in with your choice of ILVE oven.

IVFSCM34X BENCHTOP CONVECTION MICROWAVE

FEATURES

- 90 min digital timer
- 900W power output
- 1200W grill
- 1350W convection
- Clock and timer
- 5 power settings (100%, 70%, 50%, 30% and 10%)
- 5 temperature settings: 160°C-230°C

CAPACITY & INTERIOR

- 31 litre capacity
- Stainless steel cavity

SAFETY

- Child lock

FUNCTIONS

- Defrost setting
- Auto menu: When you select the food type and weight it will help you to automatically adjust the power and time (rice, vegetables, meat, noodles, fish or re-heat)
- Auto weight defrost: Select the food weight and it will automatically help you to adjust the power level and time
- Memory cooking function: You can save some frequently used cooking programmes
- Convection and combination cooking

ACCESSORIES

- Trimkit is available (Model: IVTK 60)
- Turntable

TECHNICAL INFORMATION

- 10 amp electrical connection, plug & lead supplied
- Size: 520W x 300H x 530D

Standard Option - Microwave Colour

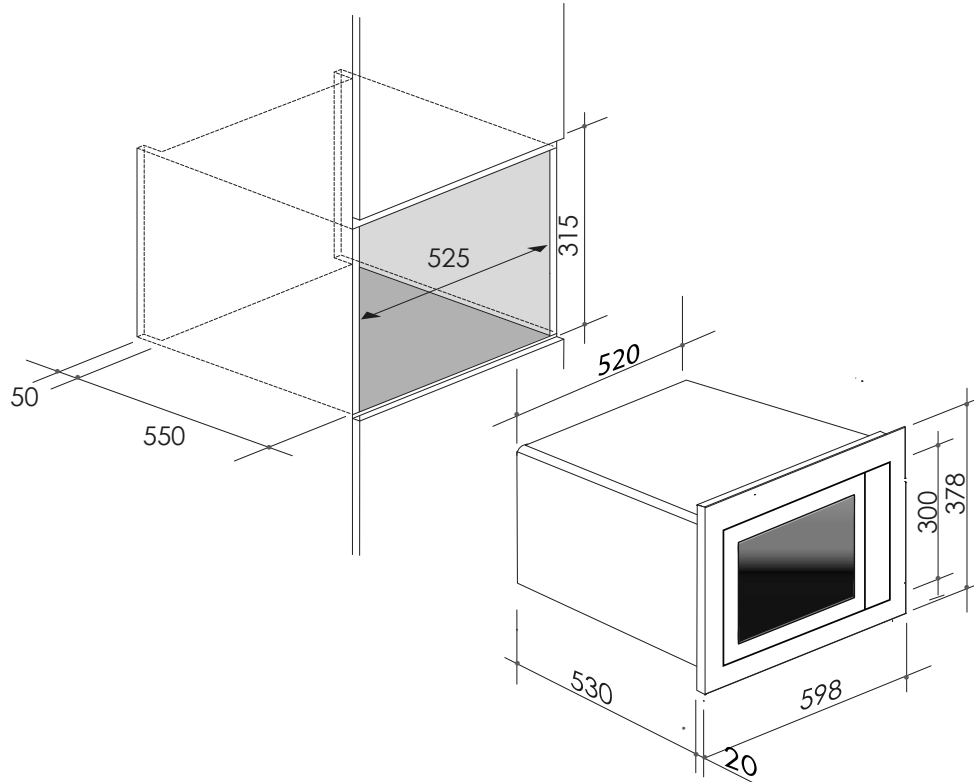


Stainless Steel

ILVE COMMERCIAL

MULTI-RESIDENTIAL & HOME BUILDER PRODUCT RANGE

IVFSCM34X BENCHTOP CONVECTION MICROWAVE



Microwave
EAN code: 9341584030764 (IVFSCM34X)
 Product Size: 520W x 300H x 530D

NB: drawings are not to scale —
 they are to be used as a guide only

FOLLOW US:



/ilve_appliances/



/ILVEappliances



/ILVE_appliances



/ILVEappliances

Page 2/2
 24042020

Australia National Telephone Number 1300 MYILVE (694 583) New Zealand Telephone Number 0508 458 369
 ILVE showrooms are open daily from 9am-5pm and Saturdays 10am-4pm

ilve.com.au

NSW & ACT (Head Office)

48-50 Moore Street
 Leichhardt
 F 02 8569 4699

VIC & SA

1211 Toorak Road
 Camberwell
 F 03 9809 2155

QLD

1/42 Cavendish Road
 Coorparoo
 F 07 3397 0850

WA & NT

Unit 10/55 Howe Street
 Osborne Park
 F 08 9201 9188

New Zealand

PO Box 11.160
 Sockburn Christchurch
 F 03 344 5906

DISCLAIMER
 Eurolinx PTY LTD, trading as ILVE Appliances, is continually seeking ways to improve the design specifications, aesthetics and production techniques of its products. As a result alterations to our products and designs take place continually. Whilst every effort is made to produce information and literature that is up to date, this brochure should not be regarded as an infallible guide to the current specifications, nor does it constitute an offer for the sale of any particular product. Product dimensions indicated in our literature is indicative only. Actual product only should be used to define dimension cutouts. Distributors, and retailers are not agents of ILVE Appliances and are not authorized to bind ILVE Appliances by any express or implied undertaking or representation.