

ILVE COMMERCIAL

MULTI-RESIDENTIAL & HOME BUILDER PRODUCT RANGE



IVUM60 60CM CONCEALED UNDER MOUNT RANGE HOOD



24 MONTH
WARRANTY



60CM
WIDE



SPACE
SAVING



LED
GLOBE



LOW
NOISE



IVUM 60 CONCEALED HOOD

FEATURES

- Concealed design built into the kitchen cabinetry
- Stainless steel fascia
- Built to exacting professional cooker hood standards
- Suitable for all ILVE cooktops 60cm or 90cm wide
- Push button extraction control
- LED strip lighting

SAFETY

- Motor cut out fire protection

CLEANING

- Filter cleaning in warm soapy water

FILTERS

- Honeycomb stainless steel filter (60cm)
- Dishwasher safe filters

MOTOR

- Max. gross air flow (m³/h): 850
- Noise (dB): 52.5
- Four speed
- Twin turbine high velocity centrifugal fan

DETAILED INFORMATION

- Size: 60cm and 90cm
- Ducting size: 150mm
- Easy installation

OPTIONAL EXTRA

- Charcoal Filter: D-HXT6008A

Standard Option - Range Hood Colour



Stainless Steel

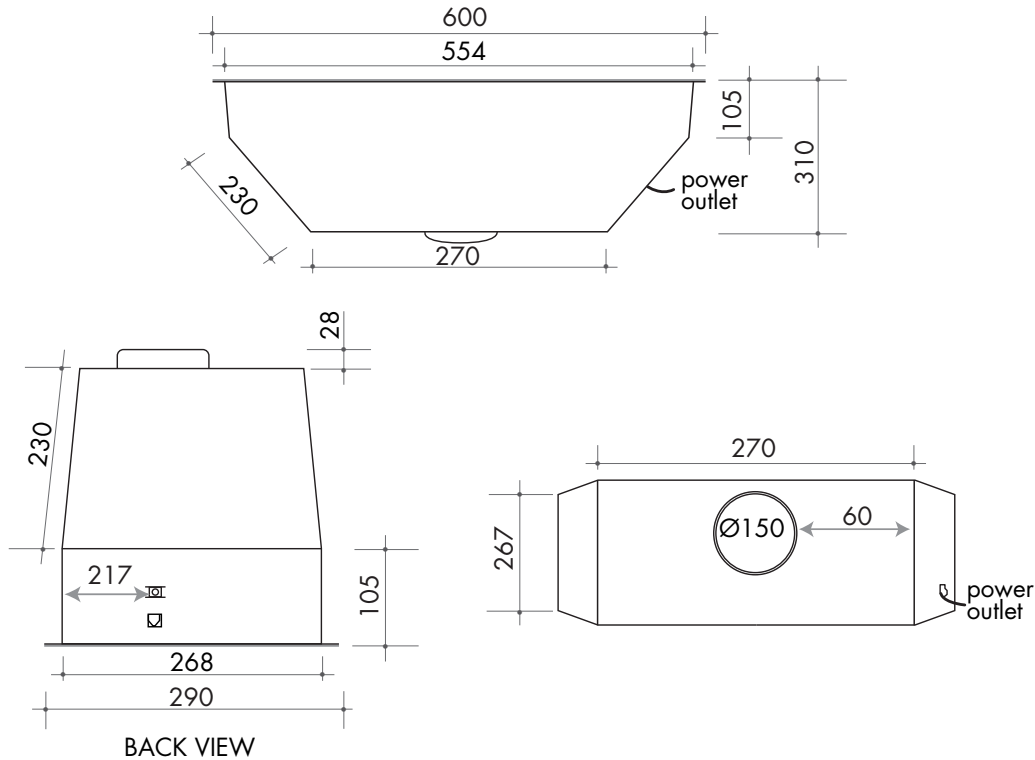


ILVE COMMERCIAL

MULTI-RESIDENTIAL & HOME BUILDER PRODUCT RANGE



IVUM60 60CM CONCEALED UNDER MOUNT RANGE HOOD

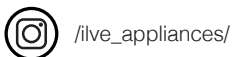


NB: drawings are not to scale — they are to be used as a guide only

i Rangehood
 EAN code: 9341584031037 (IVUM60)
 Product Size: 600W x 363H x 290D

FOLLOW US:

Page 2/2
 24042020



Australia National Telephone Number 1300 MYILVE (694 583) New Zealand Telephone Number 0508 458 369
 ILVE showrooms are open daily from 9am-5pm and Saturdays 10am-4pm

ilve.com.au

NSW & ACT (Head Office)

48-50 Moore Street
 Leichhardt
 F 02 8569 4699

VIC & SA

1211 Toorak Road
 Camberwell
 F 03 9809 2155

QLD

1/42 Cavendish Road
 Coorparoo
 F 07 3397 0850

WA & NT

Unit 10/55 Howe Street
 Osborne Park
 F 08 9201 9188

New Zealand

PO Box 11.160
 Sockburn Christchurch
 F 03 344 5906

DISCLAIMER
 Eurolinx PTY LTD, trading as ILVE Appliances, is continually seeking ways to improve the design specifications, aesthetics and production techniques of its products. As a result alterations to our products and designs take place continually. Whilst every effort is made to produce information and literature that is up to date, this brochure should not be regarded as an infallible guide to the current specifications, nor does it constitute an offer for the sale of any particular product. Product dimensions indicated in our literature is indicative only. Actual product only should be used to define dimension cutouts. Distributors, and retailers are not agents of ILVE Appliances and are not authorized to bind ILVE Appliances by any express or implied undertaking or representation.