

100cm Double Electric Oven & Induction Cooktop

PDNI100MP



- MADE IN ITALY**
- 24 MONTH WARRANTY**
- 100CM WIDE**
- EXPERT MODE**
- COOL TOUCH**
- 1,625 RAL COLOURS**
* consult with ILVE
- DIGITAL DISPLAY**
- 10 MULTI-FUNCTION MODES**
* Main oven ONLY
- COOKING LEVELS**



Universally considered one of the finest European specialist manufactures of hand crafted cooking appliances, ILVE's Nostalgie range of freestanding ovens does not disappoint.

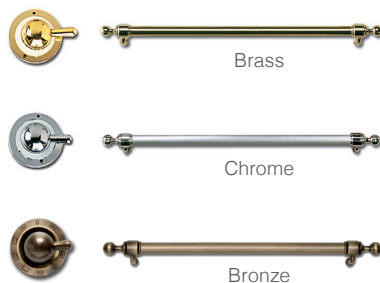
ILVE Nostalgie ovens offer attractive and traditional country style finishes that enhance the appearance of a traditional kitchen. Combining the perfect synergy of cosmetic and performance excellence, available in 8 colour choices to complement the brass, chrome or bronze control knobs and oven door handles to finish off this truly unique style oven.

ILVE's Nostalgie range is available in 60cm, 70cm, 80cm, 90cm, 100cm, 120cm and 150cm sizes and offers a unique choice of baking, grilling or rotisserie in a single oven or two ovens simultaneously. All models offer the superb quality of features and functions synonymous with ILVE.

These innovative ovens incorporate chef quality features that will delight the foodie at heart who just loves to cook. Across the range, features include 10 or 11 multifunction cooking, 70 to 110 litre oven capacity, electric rotisserie, precision thermostat control and concealed grill element. Turbowave cooking technology which cooks food at lower temperatures for less food shrinkage and splatter that adds satisfaction to every cooking masterpiece.

Further features such as cool touch handle, removable door and dismountable inner glass, self cleaning catalytic liners and panels and triple glazed door add ease of use and safety to the already impressive professional cooking functions.

Fitting



Colour Palette



100cm Double Electric Oven & Induction Cooktop

PDNI100MP

LIVE WITH
ILVE

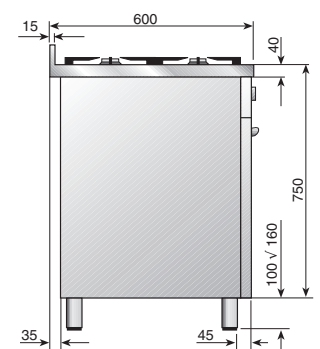
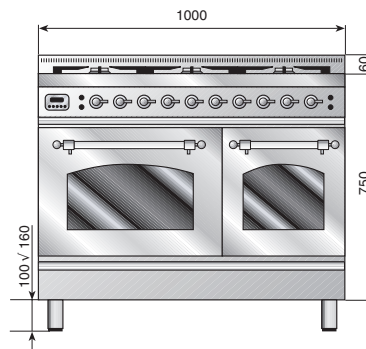
Model PDNI100MP

Electric Oven

- Double Electric Oven: Select 10+5 multifunction cooking modes
- 70 litre oven capacity oven 1
- 50 litre oven capacity oven 2
- Easy dismantling of oven interior
- Easy clean vitreous enamel interior smooth black non staining appearance
- Recessed full width grill element (Both Ovens)
- Rotisserie (40cm oven only)
- Electronic programmable timer
- Cool touch athermic door handle
- Control panel and door cooling fan
- Triple door glazing for safer, cooler door temperatures
- Catalytic self cleaning system (Main Oven Only)
- Stainless steel fan fat filter (Main Oven Only)
- Removable oven door and inner door glass
- Storage and warming drawer
- Turbowave cooking, lower temperatures, less food spatter, moister fresher tasting roasts
- Pizza and bread mode (Main Oven Only)
- Precision thermostatic control 0°C through to 250°C
- Quickstart fast preheat time 0°C – 175°C in 6 minutes (Main Oven Only)

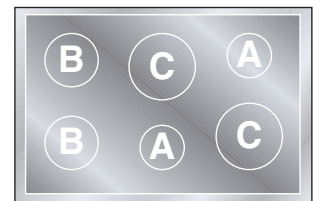
Induction Cooktop

- Designed for simple operation
- All zones with booster and 'keep warm' function
- Simmer mode
- 9 cooking temperature variations
- Easy to clean ceran surface
- Residual heat indicator
- Fast heat-up time
- Auto heat reduction
- 2 small cooking zones – 1400W - 1800W
- 2 medium cooking zones – 1850W - 2500W
- 2 large zones – 2300W - 3300W



For installation specifications, please consult with ILVE. For optimum installation, we recommend using the actual product as the best guide.

**100cm Nostalgie 5 Burner
Model PDNI100MP**
Total Electrical Load (Kw) 17.6



18112016

Australia National Telephone Number 1300 MYILVE (694 583) New Zealand Telephone Number 0508 458 369
ILVE showrooms are open Tuesday - Friday from 9am-5pm and Saturdays 10am-4pm. CLOSED Monday & Sunday

ilve.com.au

NSW & ACT (Head Office)

48-50 Moore Street
Leichhardt
F 02 8569 4699

VIC & SA

1211 Toorak Road
Camberwell
F 03 9809 2155

QLD

1/42 Cavendish Road
Coorparoo
F 07 3397 0850

WA & NT

Unit 10/55 Howe Street
Osborne Park
F 08 9201 9188

TAS (Crisp Ikin)

3 Pear Avenue
Derwent Park, 7009
P 03 6272 7386

New Zealand

PO Box 11.160
Sockburn Christchurch
F 03 344 5906

DISCLAIMER

Eurolinx PTY LTD, trading as ILVE Appliances, is continually seeking ways to improve the design specifications, aesthetics and production techniques of its products. As a result alterations to our products and designs take place continually. Whilst every effort is made to produce information and literature that is up to date, this brochure should not be regarded as an infallible guide to the current specifications, nor does it constitute an offer for the sale of any particular product. Product dimensions indicated in our literature is indicative only. Actual product only should be used to define dimension cutouts. Distributors, and retailers are not agents of ILVE Appliances and are not authorized to bind ILVE Appliances by any express or implied undertaking or representation.