

60CM INTEGRATED IN-COLUMN FREEZER

ILFRZ217I



ILFRZ 217I IN-COLUMN INTEGRATED FREEZER

FEATURES

- white interior
- manual defrost
- supplied with left hand hinge
- reversible door
- Adjustable temperature 0-5
- mechanical controls
- 'ON' light - green
- Alarm light - red
- -18°C lowest temperature
- acoustic door alarm
- dBA max noise level - 39

INCLUDED HARDWARE

- 9 x crystal plastic drawers
- 9 x freezing elements on top of each drawer to seal the freezing environment for food
- 1 transparent ice holder tray

CAPACITY

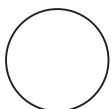
- Freezer: 217 litres (net)

DETAILED INFORMATION

- Installation kit provided
- Weight: 67kgs (net)
- 220-240V/50Hz
- R600a coolant
- 400kw/yr energy consumption
- 10 amp GPO electrical connection, 3-pin plug
- 1.5m power cord

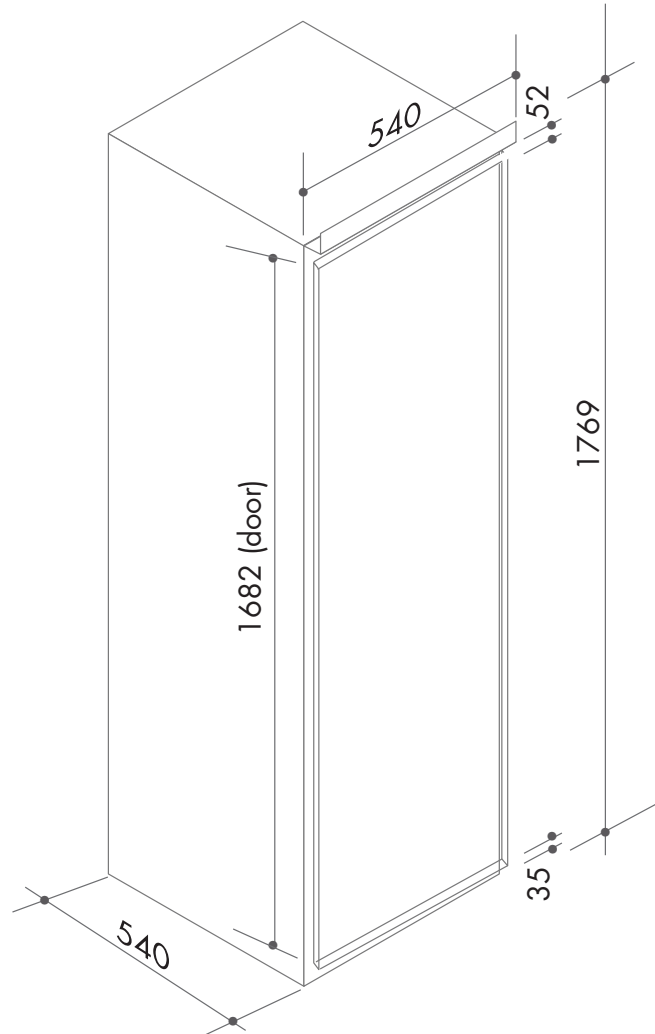


Standard Option - Product Colour



N/A

ILFRZ217I

**Refrigeration****EAN code: 9347777003294 (ILFRZ217I)**Product Size: 540W x 1770H x 540D mm
400kw/yr energy consumption

For installation specifications, please consult with ILVE. For optimum installation, we recommend using the actual product as the best guide.

Page 2/2
16062020**FOLLOW US:**Australia National Telephone Number 1300 MYILVE (694 583) New Zealand Telephone Number 0508 458 369
ILVE showrooms are open daily from 9am-5pm and Saturdays 10am-4pm**ilve.com.au****NSW & ACT (Head Office)**48-50 Moore Street
Leichhardt
F 02 8569 4699**VIC & SA**1211 Toorak Road
Camberwell
F 03 9809 2155**QLD**1/42 Cavendish Road
Coorparoo
F 07 3397 0850**WA & NT**Unit 10/55 Howe Street
Osborne Park
F 08 9201 9188**New Zealand**PO Box 11.160
Sockburn Christchurch
F 03 344 5906

DISCLAIMER
 Eurolinx PTY LTD, trading as ILVE Appliances, is continually seeking ways to improve the design specifications, aesthetics and production techniques of its products. As a result alterations to our products and designs take place continually. Whilst every effort is made to produce information and literature that is up to date, this brochure should not be regarded as an infallible guide to the current specifications, nor does it constitute an offer for the sale of any particular product. Product dimensions indicated in our literature is indicative only. Actual product only should be used to define dimension cutouts. Distributors, and retailers are not agents of ILVE Appliances and are not authorized to bind ILVE Appliances by any express or implied undertaking or representation.