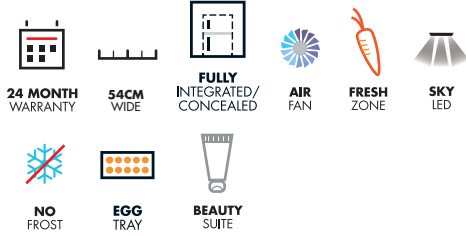


60CM INTEGRATED IN-COLUMN REFRIGERATOR

ILREF316I



ILREF316I IN-COLUMN INTEGRATED REFRIGERATOR

FEATURES

- white plastic cavity
- white interior
- static cooling
- supplied with right hand hinge
- reversible door
- dBA max noise level - 40
- single compressor
- adjustable temperature
- 0-5 temperature range
- automatic defrost process
- mechanical controls
- Sky LED light
- acoustic door alarm

INCLUDED HARDWARE

- 5 x door shelves
- 5 x removable cavity shelves and 1 x full depth shelf
- 1 x egg tray
- 1 x crisper section
- 1 x meat/cheese storage drawer

CAPACITY

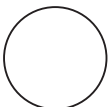
- Refrigerator: 316 litres (net)

DETAILED INFORMATION

- Installation kit provided
- Weight: 63.5kgs (net)
- 335kw/yr energy consumption
- 220-240V/50Hz
- 10 amp GPO electrical connection, 3-pin plug
- 1.5m power lead



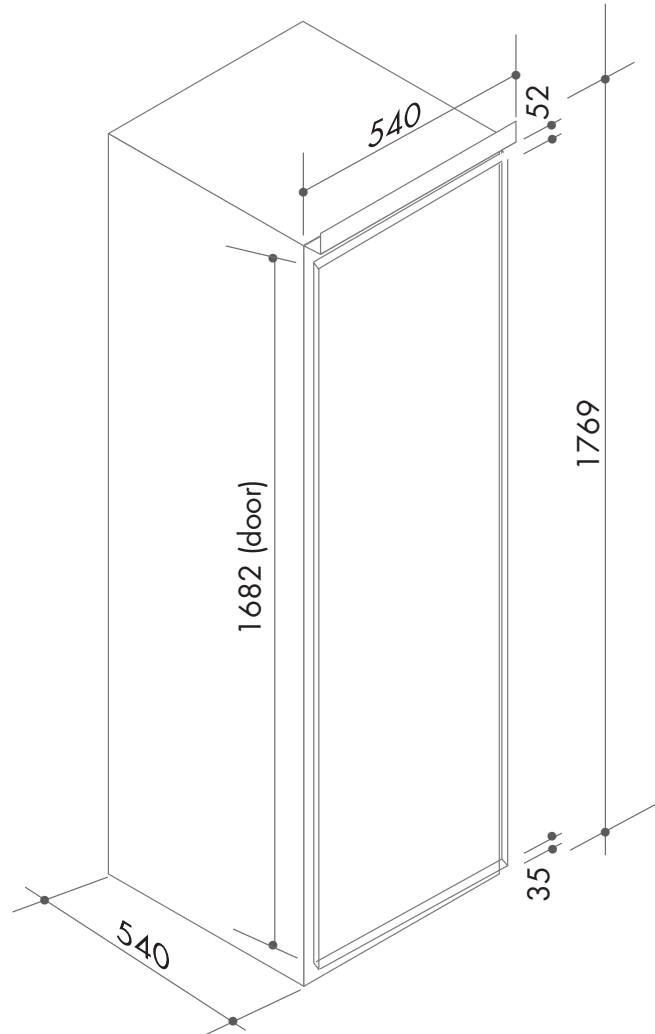
Standard Option - Product Colour



N/A

60CM INTEGRATED IN-COLUMN REFRIGERATOR

ILREF316I



Refrigeration

EAN code: 9347777003287 (ILREF316I)

Product Size: 540W x 1770H x 540D mm

Total Consumption Load: 335kw/y



For installation specifications, please consult with ILVE. For optimum installation, we recommend using the actual product as the best guide.

Page 2/2
16062020

FOLLOW US:



/ilve_appliances/



/ILVEappliances



/ILVE_appliances



/ILVEappliances

Australia National Telephone Number 1300 MYILVE (694 583) New Zealand Telephone Number 0508 458 369
ILVE showrooms are open daily from 9am-5pm and Saturdays 10am-4pm

ilve.com.au

NSW & ACT (Head Office)

48-50 Moore Street
Leichhardt
F 02 8569 4699

VIC & SA

1211 Toorak Road
Camberwell
F 03 9809 2155

QLD

1/42 Cavendish Road
Coorparoo
F 07 3397 0850

WA & NT

Unit 10/55 Howe Street
Osborne Park
F 08 9201 9188

New Zealand

PO Box 11.160
Sockburn Christchurch
F 03 344 5906

DISCLAIMER
Eurolinx PTY LTD, trading as ILVE Appliances, is continually seeking ways to improve the design specifications, aesthetics and production techniques of its products. As a result alterations to our products and designs take place continually. Whilst every effort is made to produce information and literature that is up to date, this brochure should not be regarded as an infallible guide to the current specifications, nor does it constitute an offer for the sale of any particular product. Product dimensions indicated in our literature is indicative only. Actual product only should be used to define dimension cutouts. Distributors, and retailers are not agents of ILVE Appliances and are not authorized to bind ILVE Appliances by any express or implied undertaking or representation.