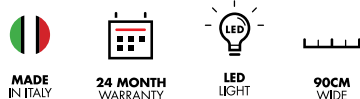


Canopy Range Hood

IVG90BK



Pictured: IVG90BK - 90cm Canopy Hood

ILVE's range hoods are designed to stealthily keep your kitchen fresher and cleaner. ILVE range hoods craftily stand above the rest. Their powerful fan removes cooking odours, smoke and vapour from the kitchen, while extremely fine filters trap all grime. In-built LED Lights produce a natural brightness, illuminating your cooking area while the streamlined electronic control panel ensures whisper quiet air extraction is at your fingertips. Either as a visual focal point or discreetly integrated, it is easy to see that ILVE Rangehood's are built to extract!



Canopy Range Hood

IVG90BK

IVG90BK CANOPY HOOD

FEATURES

- Stainless steel construction enamelled in gloss black
- Aesthetically designed to suit ILVE's GrigioLusso & black series of appliances
- Electronic push button control with variable speed
- LED lighting

SAFETY

- Motor cut out fire protection

CLEANING

- Filters: stainless steel with square mesh filter

FILTERS

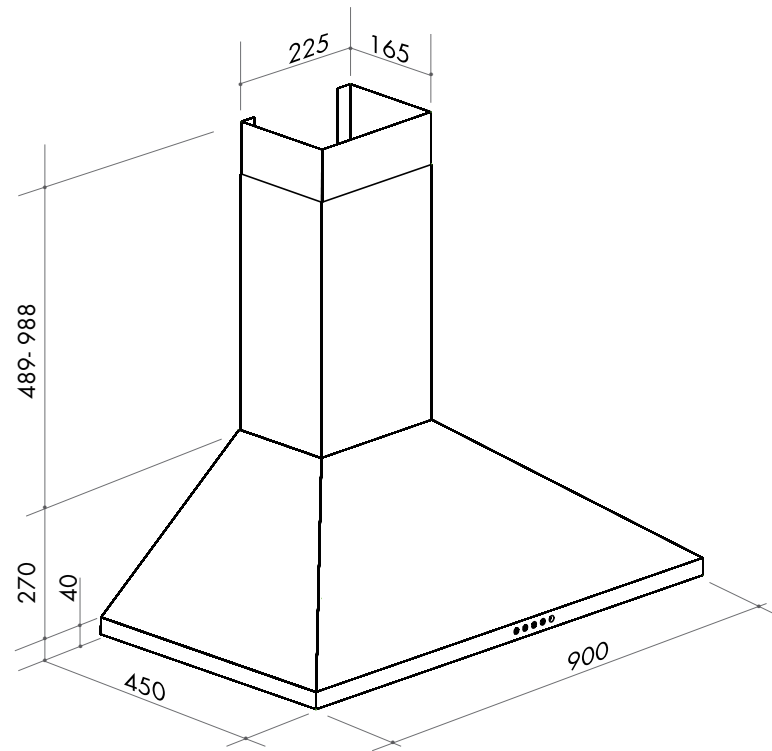
- Honeycomb 5 layer mesh filters

MOTOR

- Max. Air flow (m³/h): 560 net or 800 gross*
- Noise (dB): low 54 - high 68
- Twin turbine high velocity centrifugal fan, optional in-line motor is available to assist air flow

DETAILED INFORMATION

- Size: 90cm
- Colour: Stainless Steel
- Ducting size: 150mm



* IVG90BK Canopy Hood

Type: Canopy Hood
 Model: IVG90BK
 Size: 90cm
 Ducting size: 150mm
 10AMP plug and lead fitted

*Range Hood extraction rate m³/h reading is measured at:
 1m duct up, 1 x 90°C bend & 1m vertical duct

**Using the conversion *back* to 125mm may effect performance

06062019

Australia National Telephone Number 1300 MYILVE (694 583) New Zealand Telephone Number 0508 458 369
 ILVE showrooms are open Tuesday - Friday from 9am-5pm and Saturdays 10am-4pm. CLOSED Monday & Sunday

ilve.com.au

NSW & ACT (Head Office)

48-50 Moore Street
 Leichhardt
 F 02 8569 4699

VIC & SA

1211 Toorak Road
 Camberwell
 F 03 9809 2155

QLD

1/42 Cavendish Road
 Coorparoo
 F 07 3397 0850

WA & NT

Unit 10/55 Howe Street
 Osborne Park
 F 08 9201 9188

New Zealand

PO Box 11.160
 Sockburn Christchurch
 F 03 344 5906

DISCLAIMER

Eurolinx PTY LTD, trading as ILVE Appliances, is continually seeking ways to improve the design specifications, aesthetics and production techniques of its products. As a result alterations to our products and designs take place continually. Whilst every effort is made to produce information and literature that is up to date, this brochure should not be regarded as an infallible guide to the current specifications, nor does it constitute an offer for the sale of any particular product. Product dimensions indicated in our literature is indicative only. Actual product only should be used to define dimension cutouts. Distributors, and retailers are not agents of ILVE Appliances and are not authorized to bind ILVE Appliances by any express or implied undertaking or representation.