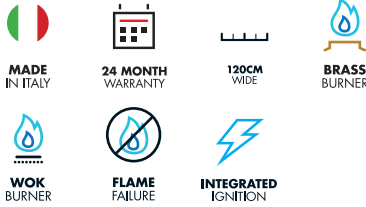


# 120CM FLUSHLINE GAS COOKTOP WITH TEPANYAKI PLATE

HP125FDT



With ILVE Gas Cooktops, you can simmer at the lowest temperatures that your recipe calls for or go to searing heat instantly. With precision heat you'll have perfect cooking control. Cleaning is easy! There are fewer food trapping cracks and crevices allowing for easy wipe maintenance. The trivets, burner caps and supports are removable and easily cleaned either in a dishwasher or by hand.

A stainless steel finish ensures this cooktop will co-ordinate beautifully with the design of other ILVE appliances. ILVE have maintained their core values as a family owned business and continue to manufacture appliances that represent the most pure thing in a family – dinner time! The kitchen is, and should always be, a place in a time where the family meets and shares.

Standard Option - Cooktop Colour



Stainless Steel



# 120CM FLUSHLINE GAS COOKTOP WITH TEPANYAKI PLATE

## HP125FDT



### 120CM FLUSHLINE GAS COOKTOP WITH CENTRE WOK

#### FINISH

- Stainless Steel

#### FEATURES

- ILVE's Stainless Steel Tepanyaki Plate
- Two high speed, Two low to medium simmer burners
- Precision burner control
- Cast iron heavy duty trivets and burners in matt black finish
- Deep recessed spill trays
- Front centred control panel

#### SAFETY

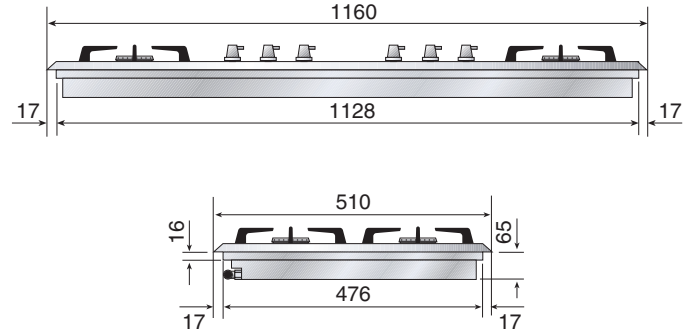
- Flame failure device fitted to each burner
- Automatic electronic ignition

#### BURNERS

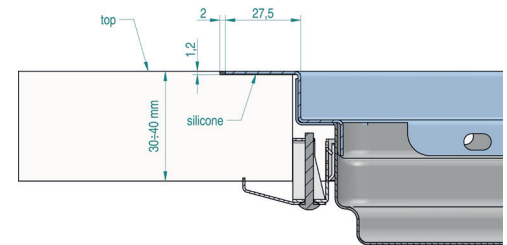
- 6 Gas burners
- Dual Control Triple ring Brass wok burner Large cooking surface with spacious burner layout
- Easy clean removable trivets and burners top

#### TECHNICAL INFORMATION

- Power requirement: 10 AMP



\*\* Please note: If you are installing this product with routed edges, we recommend you ONLY ever use the actual product as a guide



NB: drawings are not to scale — they are to be used as a guide only



#### Cooktop

EAN code: (HP125FCDT)

Product Size: 1160W x 510D mm

Cutout Size: 1126W x 476D mm

### FOLLOW US:



/ilve\_appliances/



/ILVEappliances



/ILVE\_appliances



/ILVEappliances

Page 2/2  
11122020

Australia National Telephone Number 1300 MYILVE (694 583) New Zealand Telephone Number 0508 458 369  
ILVE showrooms are open daily from 9am-5pm and Saturdays 10am-4pm

ilve.com.au

#### NSW & ACT (Head Office)

48-50 Moore Street  
Leichhardt  
F 02 8569 4699

#### QLD

1/42 Cavendish Road  
Coorparoo  
F 07 3397 0850

#### WA & NT

Unit 10/55 Howe Street  
Osborne Park  
F 08 9201 9188

#### New Zealand

PO Box 11.160  
Sockburn Christchurch  
F 03 344 5906

DISCLAIMER  
Eurolinx PTY LTD, trading as ILVE Appliances, is continually seeking ways to improve the design specifications, aesthetics and production techniques of its products. As a result alterations to our products and designs take place continually. Whilst every effort is made to produce information and literature that is up to date, this brochure should not be regarded as an infallible guide to the current specifications, nor does it constitute an offer for the sale of any particular product. Product dimensions indicated in our literature is indicative only. Actual product only should be used to define dimension cutouts. Distributors, and retailers are not agents of ILVE Appliances and are not authorized to bind ILVE Appliances by any express or implied undertaking or representation.