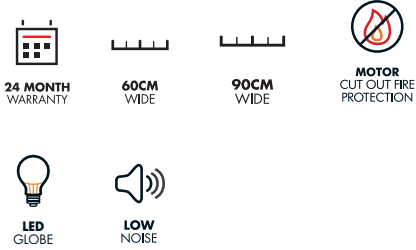


# CONCEALED RANGE HOOD



## IVUM 60 & 90

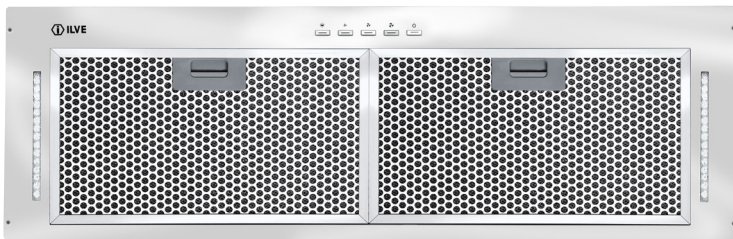


ILVE's concealed rangehoods craftily stand above the rest. Their powerful highspeed fan removes cooking odours, smoke and vapour from the kitchen, while extremely fine filters trap all grime.

In-built LED Lights produce a natural brightness, illuminating your cooking area while the streamlined electronic control panel ensures whisper quiet air extraction is at your fingertips. It's easy to see that ILVE Rangehood's are built to extract!



Pictured: IVUM60 60cm Concealed Rangehood



Pictured: IVUM90 90cm Concealed Rangehood

### Standard Option - Rangehood Colour



Stainless Steel

# CONCEALED RANGE HOOD



## IVUM 60 & 90

### IVUM 60 & 90 CONCEALED HOOD

#### FEATURES

- Concealed design built into the kitchen cabinetry
- Stainless steel fascia
- Built to exacting professional cooker hood standards
- Suitable for all ILVE cooktops 60cm or 90cm wide
- Push button extraction control
- LED strip lighting

#### SAFETY

- Motor cut out fire protection

#### CLEANING

- Filter cleaning in warm soapy water

#### FILTERS

- Honeycomb stainless steel filter (60cm)
- Honeycomb stainless steel filters (90cm)
- Dishwasher safe filters

#### MOTOR

- Max. gross air flow (m<sup>3</sup>/h): 850
- Noise (dB): 52.5
- Four speed
- Twin turbine high velocity centrifugal fan

#### DETAILED INFORMATION

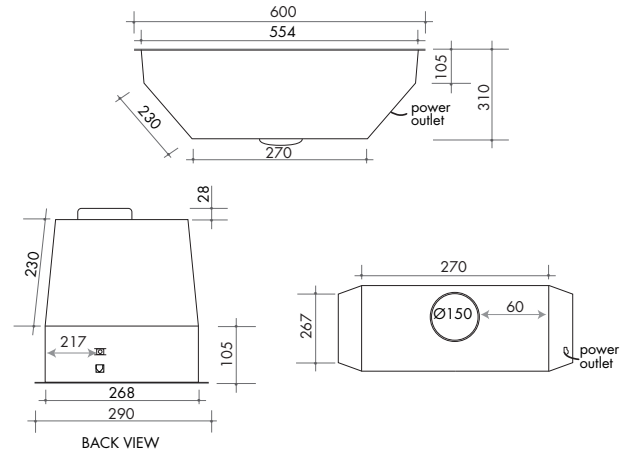
- Size: 60cm and 90cm
- Ducting size: 150mm
- Easy installation

#### OPTIONAL EXTRA

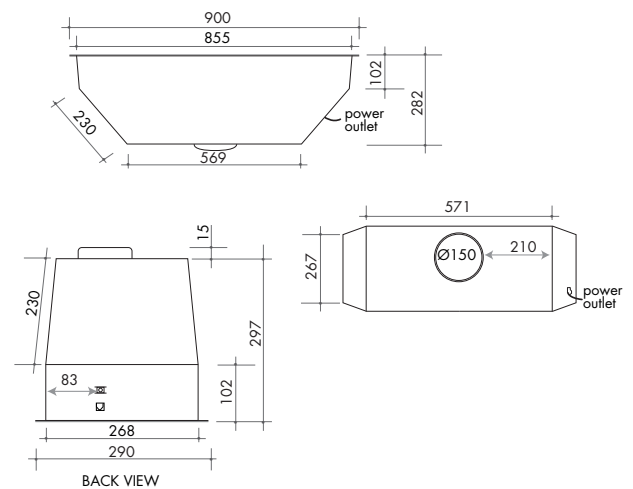
- 60cm Charcoal Filter: D-HXT6008A
- 90cm x 2 Charcoal Filters: D-HXT6009A

Range hood extraction rate m<sup>3</sup>/hr reading is measured at 1m duct up, 1x90° C bend and 1m vertical duct

### IVUM60 60CM RANGEHOOD

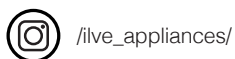


### IVUM90 90CM RANGEHOOD



NB: drawings are not to scale — they are to be used as a guide only

### FOLLOW US:



Page 2/2  
15012021

Australia National Telephone Number 1300 MYILVE (694 583) New Zealand Telephone Number 0508 458 369  
ILVE showrooms are open daily from 9am-5pm and Saturdays 10am-4pm

[ilve.com.au](http://ilve.com.au)

#### NSW & ACT (Head Office)

48-50 Moore Street  
Leichhardt  
F 02 8569 4699

#### QLD

1/42 Cavendish Road  
Coorparoo  
F 07 3397 0850

#### WA & NT

Unit 10/55 Howe Street  
Osborne Park  
F 08 9201 9188

#### New Zealand

PO Box 11.160  
Sockburn Christchurch  
F 03 344 5906

**DISCLAIMER**  
Eurolinx PTY LTD, trading as ILVE Appliances, is continually seeking ways to improve the design specifications, aesthetics and production techniques of its products. As a result alterations to our products and designs take place continually. Whilst every effort is made to produce information and literature that is up to date, this brochure should not be regarded as an infallible guide to the current specifications, nor does it constitute an offer for the sale of any particular product. Product dimensions indicated in our literature is indicative only. Actual product only should be used to define dimension cutouts. Distributors, and retailers are not agents of ILVE Appliances and are not authorized to bind ILVE Appliances by any express or implied undertaking or representation.